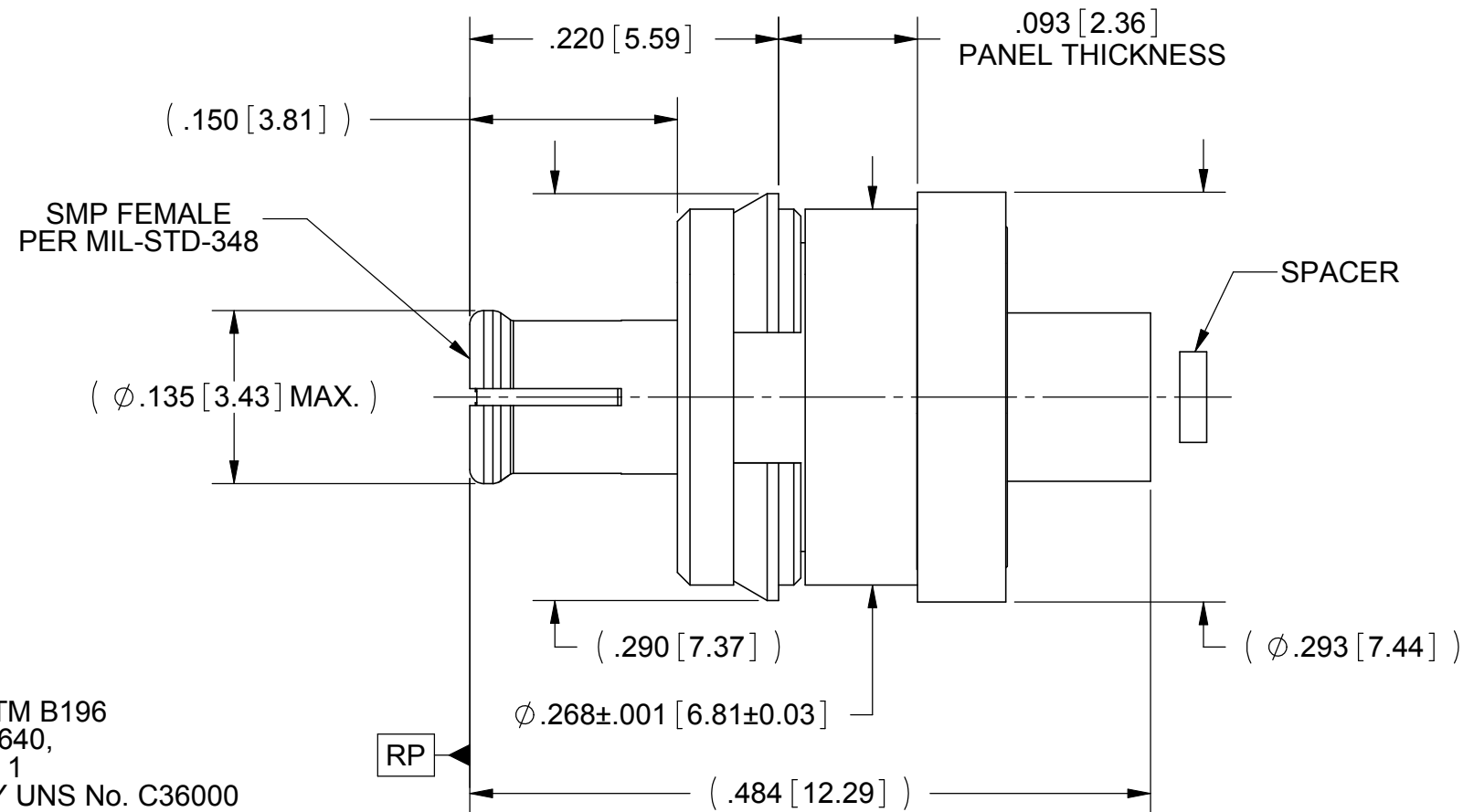
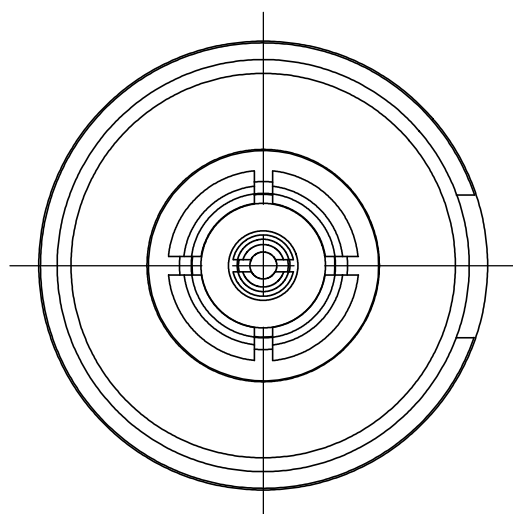


# PRODUCT DATA DRAWING

REVISION HISTORY			
REV	DESCRIPTION	DATE	APPROVED
-	REL. NRN 34431	11/29/07	STW
A	DCN 37782	09/10	PJS



**MATERIALS:**

BODIES, CONTACT & SPRING CLIP: BERYLLIUM COPPER PER ASTM B196  
 SLEEVE, & INSERT: STAINLESS STEEL PER AMS 5640, ALLOY No. UNS S30300, TYPE 1  
 BUSHING: BRASS PER ASTM B16, ALLOY UNS No. C36000  
 SPRING: STAINLESS STEEL PER ASTM A313  
 INSULATOR: PTFE PER ASTM D1710  
 DIELECTRIC SPACER: TORLON 4203

**FINISHES:**

BODIES, CONTACT & SPRING CLIP: GOLD PER ASTM B488, TYPE II GRADE C, CLASS 1.27, OVER NICKEL PER AMS-QQ-N-290, CLASS 1  
 BUSHING: NICKEL PER AMS-QQ-N-290, CLASS 2  
 SLEEVE, INSERT & SPRING: PASSIVATED PER AMS 2700

**ELECTRICAL:**

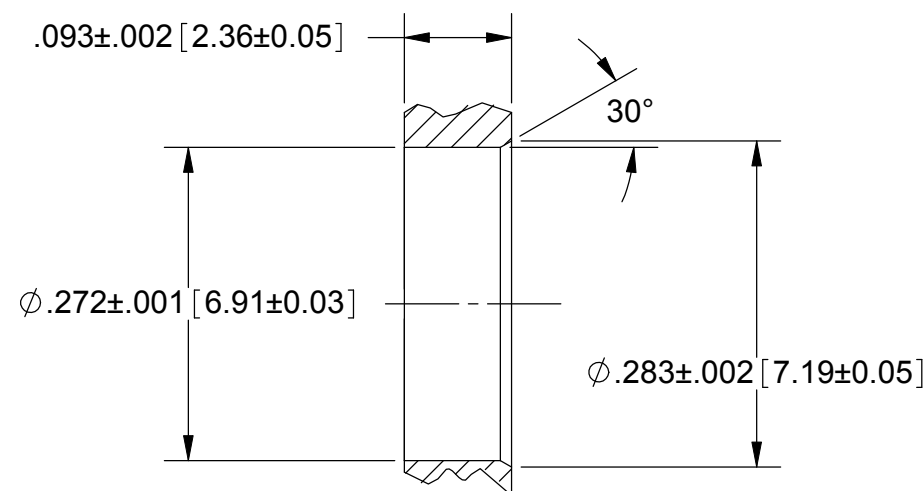
IMPEDANCE: 50 OHMS  
 FREQ. RANGE: DC TO 18.0 GHZ  
 VSWR: 1.20 MAX.  
 INSERTION LOSS: 0.25 dB MAX.  
 D.W.V.: 500 VRMS  
 INSULATION RES.: 5,000 MEGOHMS MINIMUM

**FLOAT:**

AXIAL FLOAT: .040 INCH  
 RADIAL FLOAT: .020 INCH

**SPRING FORCE:**

SPRING RATE: 39 LBS/INCH NOM.  
 PRE-LOAD: 0.81 LBS NOM.  
 .035" COMPRESSION: 2.15 LBS NOM.  
 .125" COMPRESSION: 5.6 LBS NOM.



RECOMMENDED MOUNTING HOLE

MATERIAL: SEE NOTES	DIMENSIONS ARE IN INCHES TOLERANCES: FRACTIONAL: ±1/64 ANGULAR: X° ±1°0' X'X' ±15'	UNLESS OTHERWISE SPECIFIED 1) ALL DIMENSIONS ARE IN INCHES (MILLIMETERS) 2) ALL DIMENSIONS ARE AFTER PLATING 3) BREAK CORNERS & EDGES .005 R. MAX. 4) CHAM. 1ST & LAST THREADS. 5) SURFACE ROUGHNESS 63-MIL-STD-10. 6) DIA. 'S ON COMMON CENTERS TO BE CONCENTRIC WITHIN .005 T.I.R. 7) REMOVE ALL BURRS	<b>SV Microwave, Inc.</b> 2400 Centrepark West Drive, Suite 100 West Palm Beach, FL 33409
FINISH: SEE NOTES	DECIMAL: X ±.030 .XX ±.010 .XXX ±.005	INTERPRET DIMENSIONS AND TOLERANCES PER ASME Y14.5M - 1994	TITLE: SMP FEMALE, FLOAT MOUNT T-FLEX 405, .093" PANEL THK.
SURFACE AREA: N/A	THIRD ANGLE PROJECTION	DRAWN: JMC 12/03/07	SIZE: B CAGE CODE: 95077 DWG. NO. 1204-6000
PROPRIETARY THE INFORMATION CONTAINED IN THIS DRAWING IS THE SOLE PROPERTY OF SV MICROWAVE, INC. ANY REPRODUCTION IN PART OR AS A WHOLE WITHOUT THE WRITTEN PERMISSION OF SV MICROWAVE, INC IS PROHIBITED.		CHECKED: STW 12/04/07	SCALE: 8:1
		APPROVED: STW 12/04/07	SHEET 1 OF 1