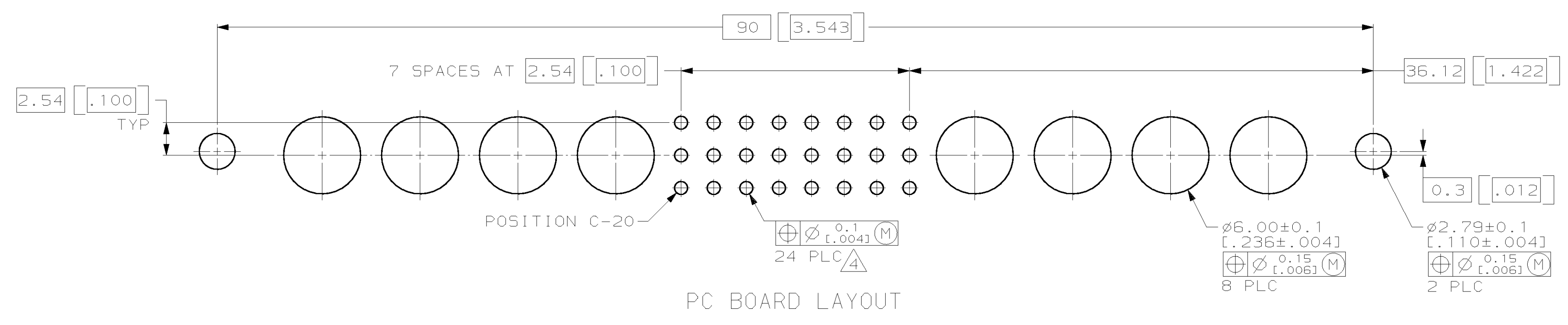
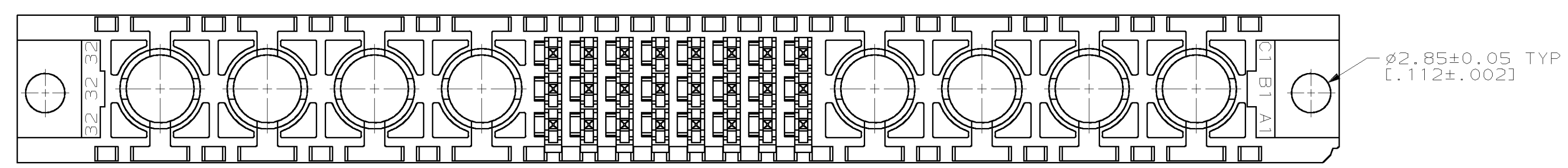
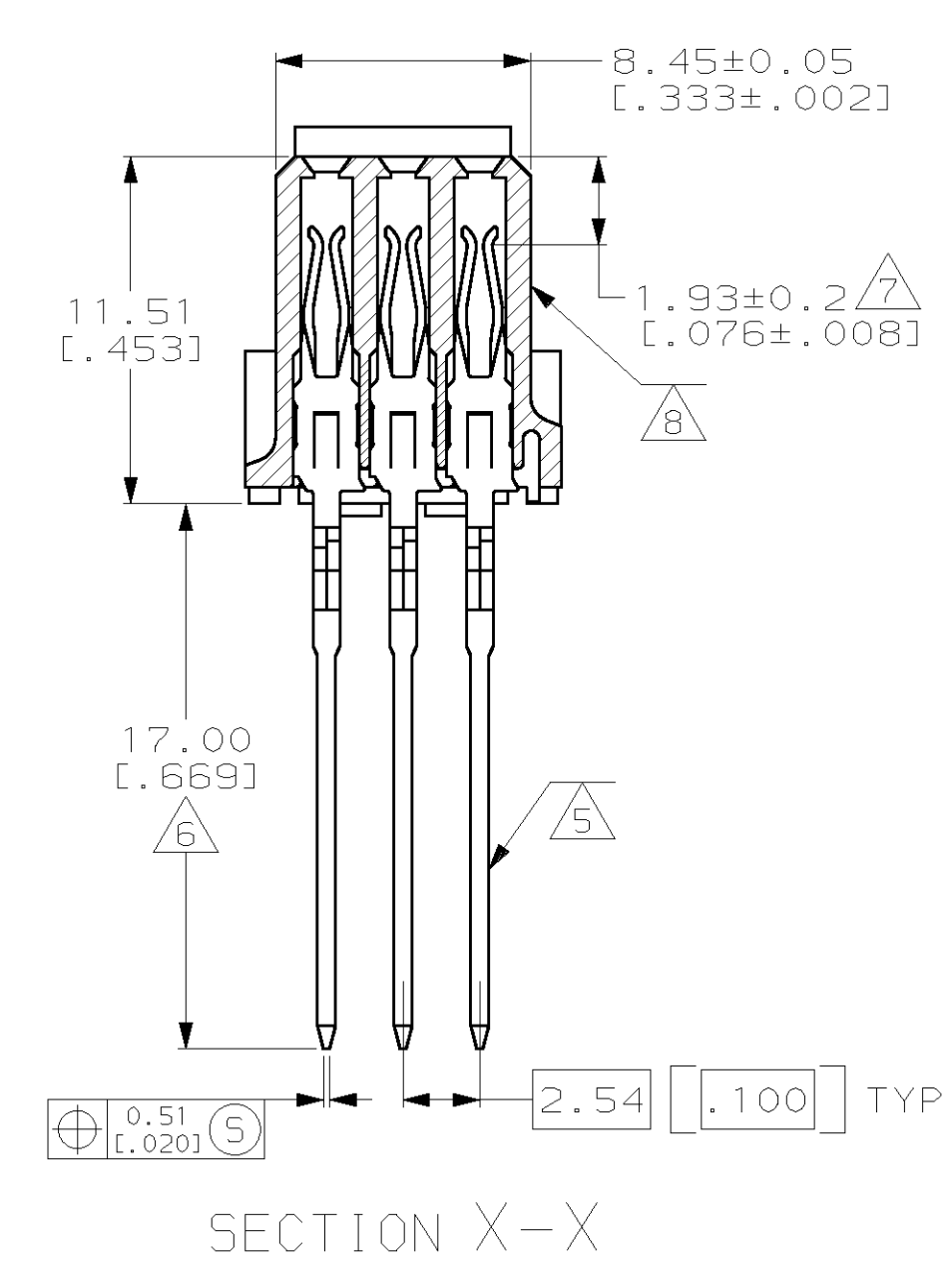
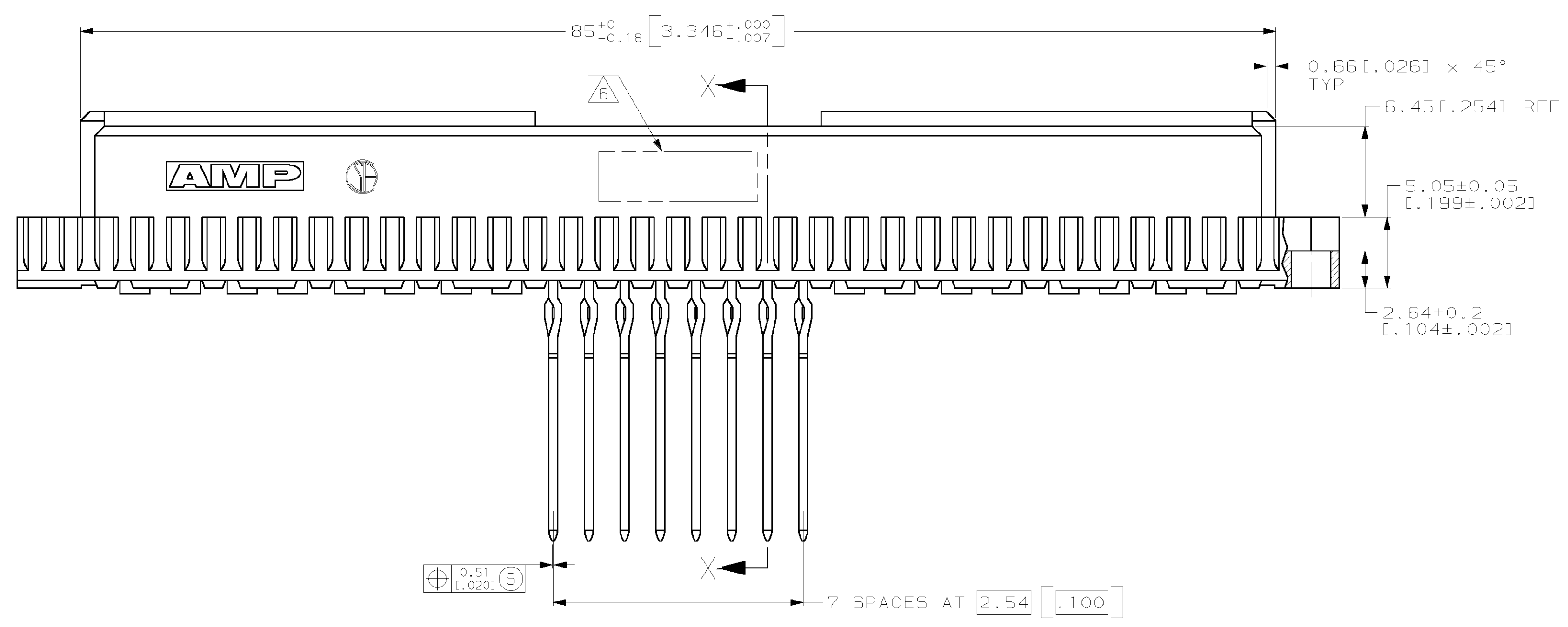
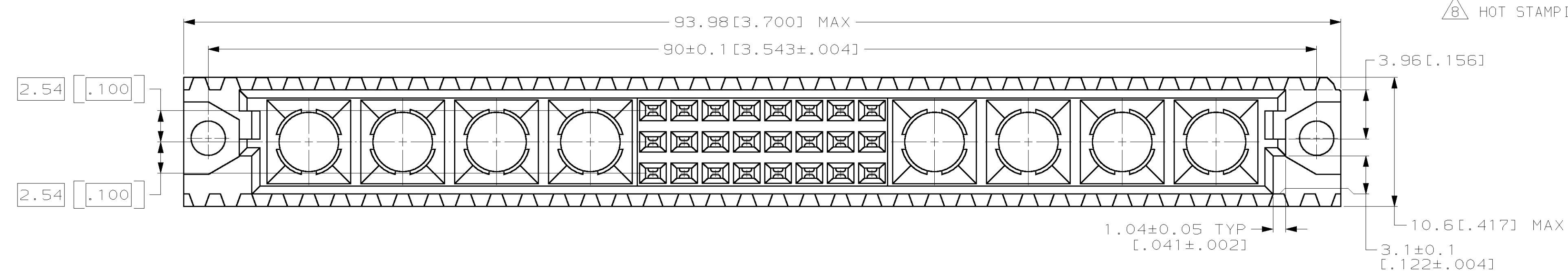


REV 25		REVISIONS			
LOC	DIST	REV	DATE	BY	APPV
		0			
		A	06 APR 99	BC	CR

- ① HOUSING MATERIAL: GLASS-FILLED POLYESTER. COLOR: GRAY.
- ② CONTACT MATERIAL: PHOSPHOR BRONZE.
- ③ PART NUMBER AND DATE CODE HOT STAMPED IN THIS APPROXIMATE AREA.
- ④ ACTION PIN POSTS REQUIRE 1.57[.062] MINIMUM THICK PC BOARD. RECOMMENDED PC BOARD DRILLED HOLES ARE $\phi 1.151 \pm 0.025$ [.0453 \pm .0010] WITH 0.02-0.08[.001-.003] COPPER AND 0.008[.0003] MINIMUM TIN-LEAD PLATING. FINISHED HOLES AFTER PLATING $\phi 1.02 \pm 0.08$ [.040 \pm .002].
- ⑤ CONTACT FINISH: DIN 41612 CLASS 2 IN CONTACT AREA. TIN-LEAD PLATE ON POSTS.
- ⑥ TAIL LENGTH AFTER SEATED IN PC BOARD.
- ⑦ CONTACT POINT AFTER SEATED IN PC BOARD.
- ⑧ HOT STAMPING ON THIS SIDE.



148381-5
PART NUMBER

THIS DRAWING IS A CONTROLLED DOCUMENT.		DWN: L. BRINER 5/23/97	AMP Incorporated Harrisburg, PA 17105-3608
DIMENSIONS:		CHK: R. PATTERSON 5/23/97	
TOLERANCES UNLESS OTHERWISE SPECIFIED:		APVD: R. PATTERSON 5/23/97	NAME: RECEPTACLE ASSEMBLY, EUROCARD, TYPE M, 24 + 8 POSITION
mm		PRODUCT SPEC	
0 PLC \pm		APPLICATION SPEC	SIZE: A1
1 PLC ± 0.13 [.005]		WEIGHT	CAGE CODE: C-148381
2 PLC \pm		CUSTOMER DRAWING	SCALE: 4:1
3 PLC \pm			SHEET: 1 OF 2
4 PLC \pm			REV: A
UNLESS OTHERWISE SPECIFIED			