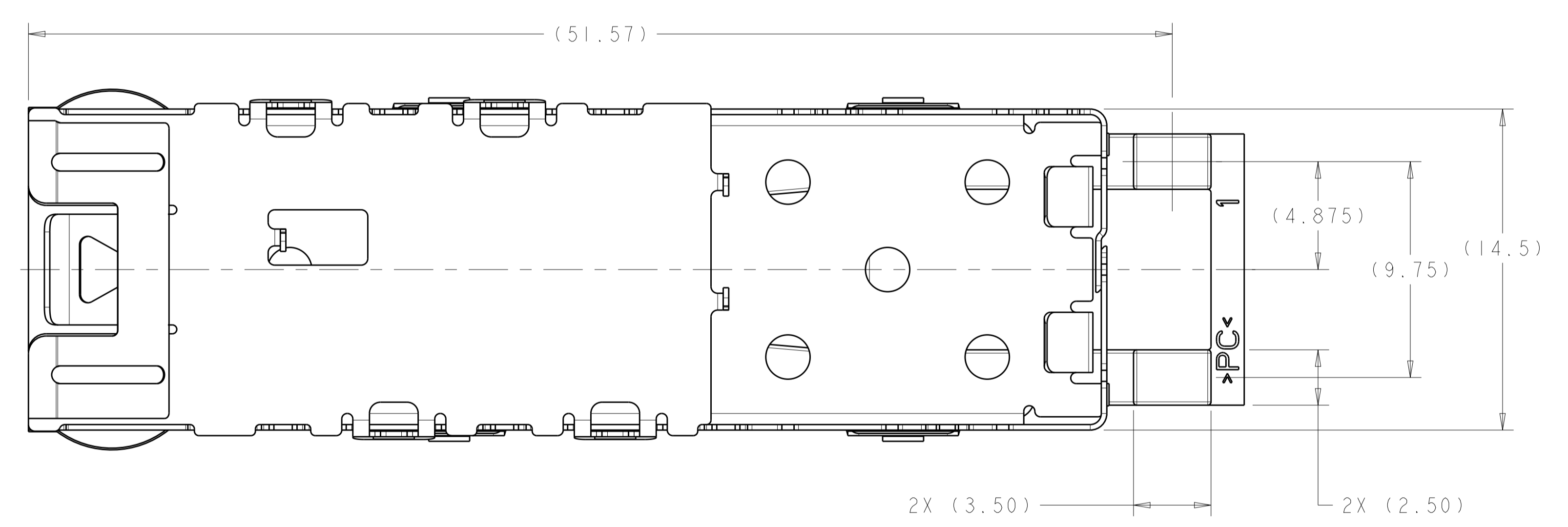
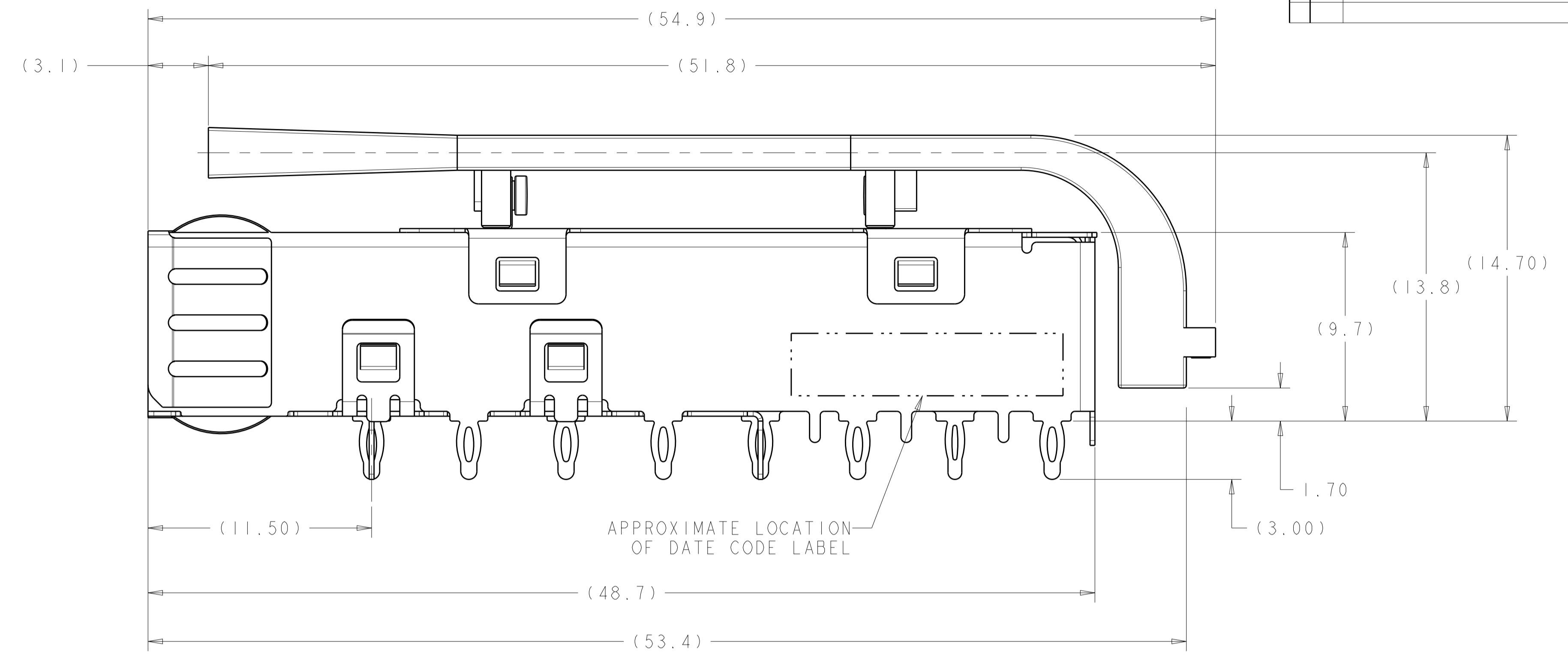
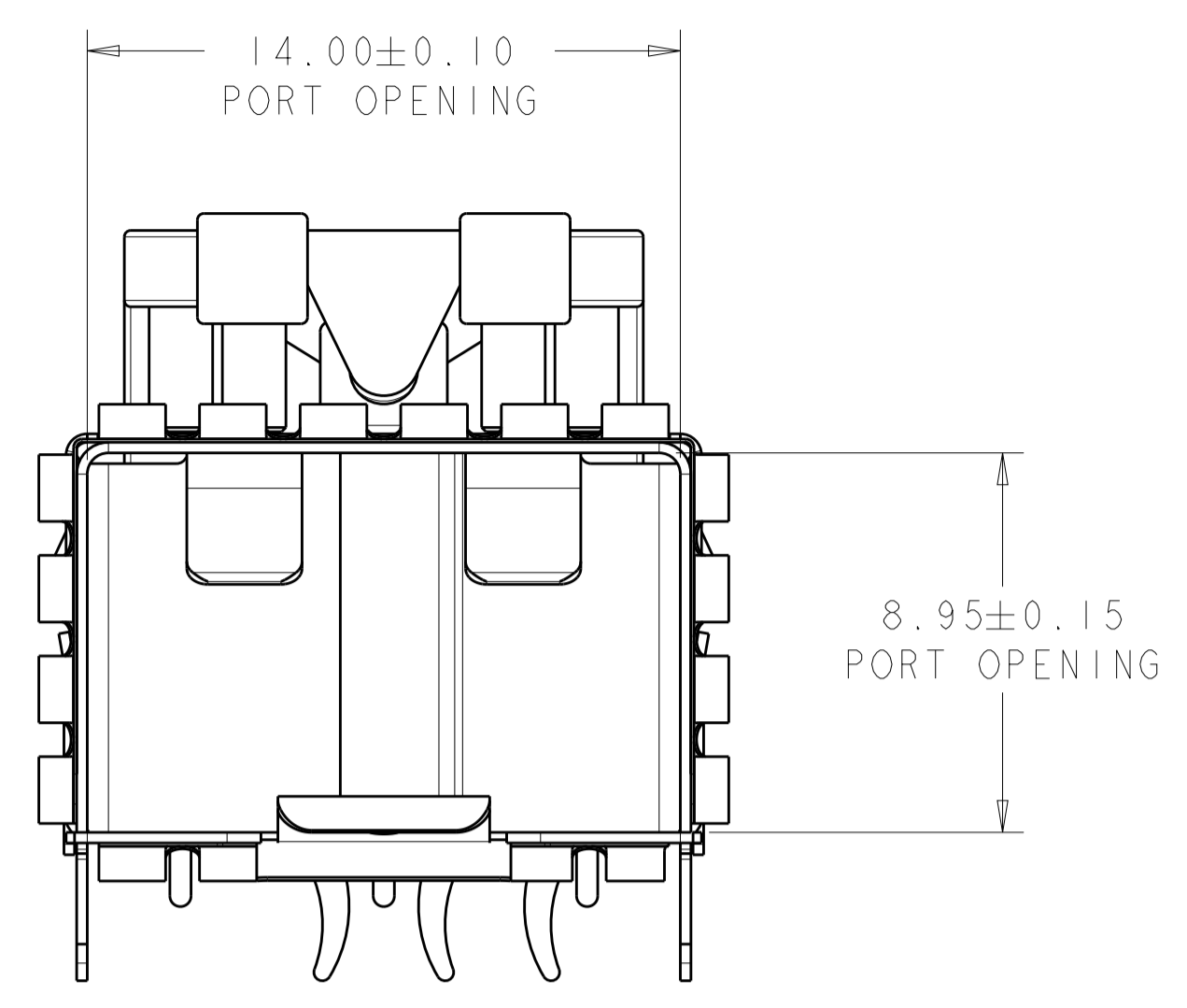
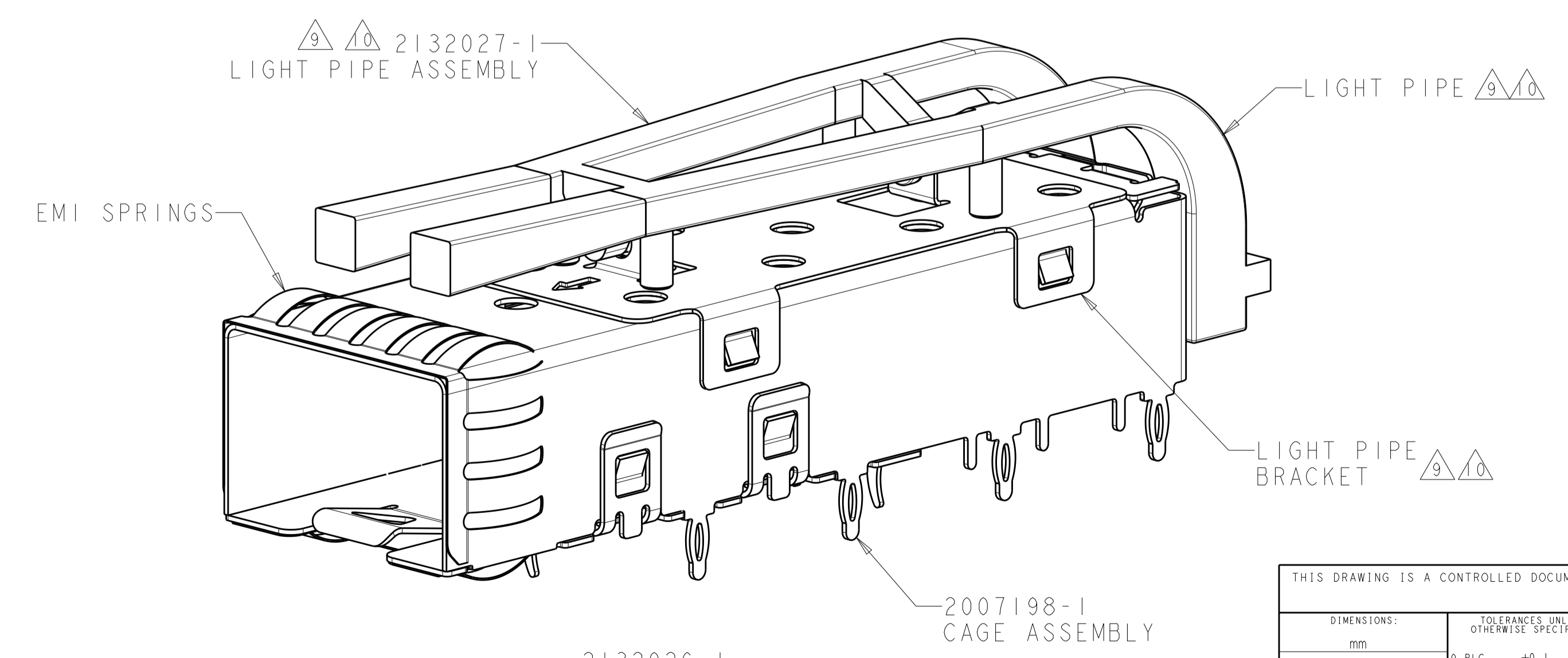


REVISIONS					
P	LTN	DESCRIPTION	DATE	DMN	APVD
A		RELEASED	26FEB2016	JW	SH



- ⚠ MATERIAL:
 CAGE ASSEMBLY - 0.25 THICK NICKEL-SILVER ALLOY.
 EMI SPRINGS - COPPER ALLOY.
 LIGHT PIPE - POLYCARBONATE, CLEAR.
 LIGHT PIPE BRACKET - STAINLESS STEEL.
- ⚠ FINISH:
 EMI SPRINGS - 0.8um MIN MATTE TIN OVER 0.8um MIN NICKEL
 NON-PLATED EDGES PERMISSIBLE.
- 3. MATES WITH SFP MSA COMPLIANT TRANSCEIVERS.
- ⚠ PADS AND VIAS CHASSIS GROUND.
- ⚠ DATUM AND BASIC DIMENSION ESTABLISHED BY CUSTOMER.
- 6. MINIMUM PC BOARD THICKNESS:
 SINGLE SIDED: 1.50mm
 DOUBLE SIDED: 3.00mm
- ⚠ REFERENCE APPLICATION SPEC. 114-13120, HOLE A, FOR
 RECOMMENDED DRILL HOLE DIAMETER AND PLATING THICKNESS.
- ⚠ REFERENCE APPLICATION SPEC. 114-13120, HOLE C, FOR
 RECOMMENDED DRILL HOLE DIAMETER AND PLATING THICKNESS.
 INTO PCB PRIOR TO ATTACHING THE LIGHTPIPE ASSEMBLY
 TO THE CAGE.
- ⚠ LIGHT PIPE ASSEMBLY SHIPPED UNASSEMBLED TO CAGE ASSEMBLY.
 CAGE ASSEMBLY TO BE PRESSED INTO PCB PRIOR TO ATTACHING
 THE LIGHT PIPE ASSEMBLY TO THE CAGE.
- ⚠ LIGHT PIPE AND LIGHT PIPE BRACKET SHIPPED ASSEMBLED.

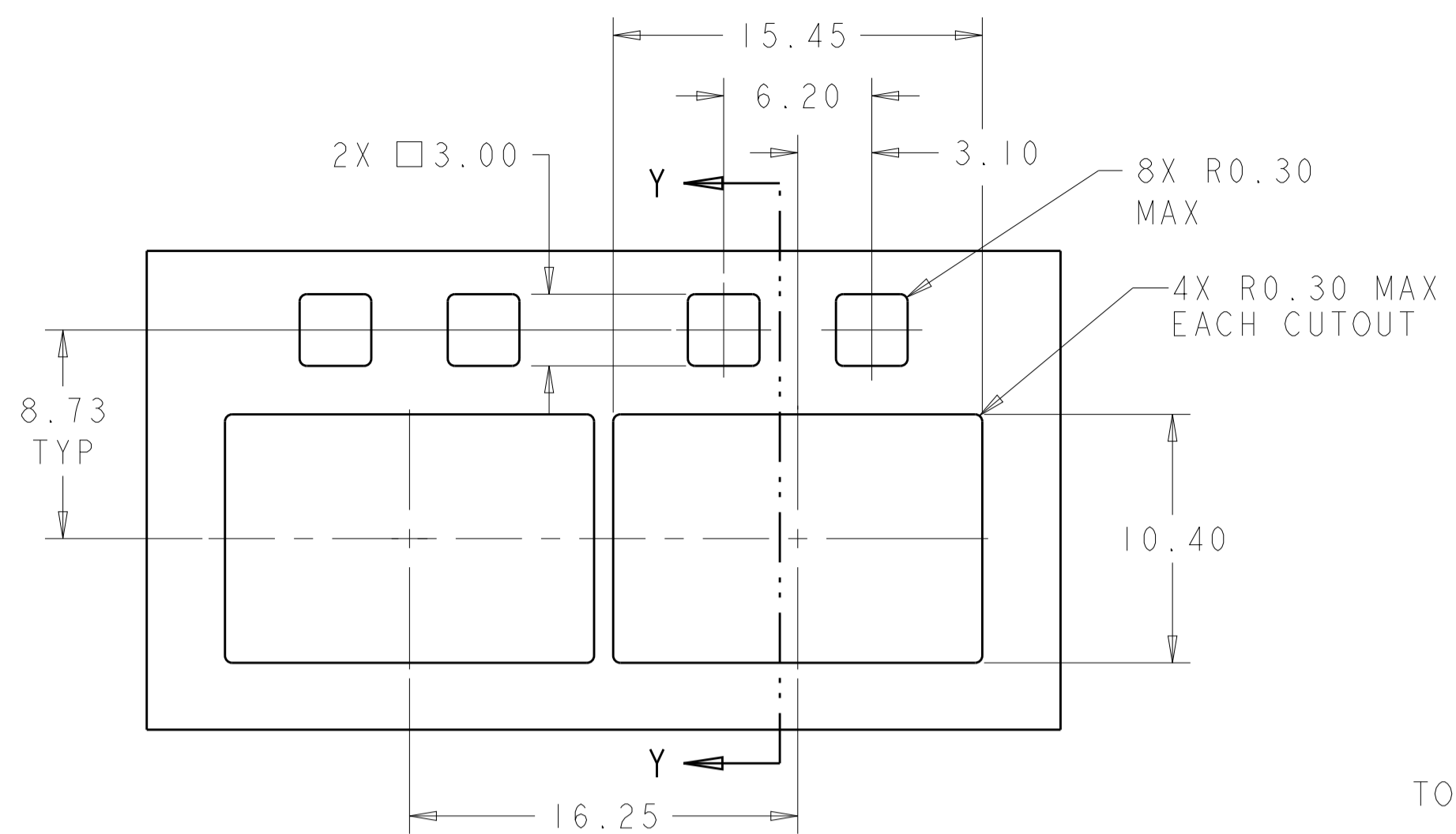


2132026-1
 SHOWN ASSEMBLED
 SCALE 5:1

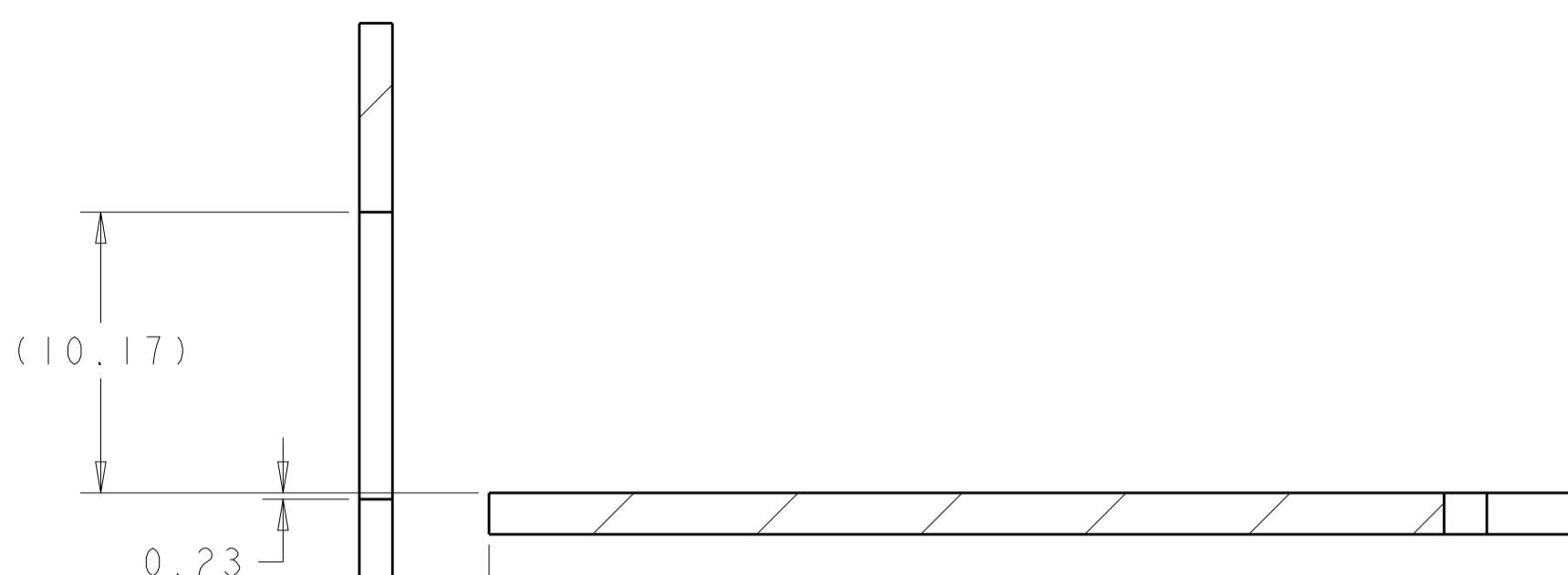
2132026-1
 PART
 NUMBER

THIS DRAWING IS A CONTROLLED DOCUMENT.		DMN C. ROHLER 08OCT2009	TE Connectivity
DIMENSIONS:		CHK M. SCHMITT 08OCT2009	
mm	TOLERANCES UNLESS OTHERWISE SPECIFIED:	APVD B. WERTZ 08OCT2009	NAME SFP+ IXI CAGE ASSEMBLY PRESS-FIT, W/ LIGHT PIPES
0 PLC ±0.1	1 PLC ±0.1	PRODUCT SPEC 108-2364	SIZE 114-13120
2 PLC ±0.1	3 PLC ±0.05	APPLICATION SPEC	RESTRICTED TO
4 PLC ±0.05	ANGLES ±0.05	WEIGHT	A100779C=2132026
MATERIAL	FINISH	CUSTOMER DRAWING	SCALE 6:1 SHEET 1 OF 2 REV A

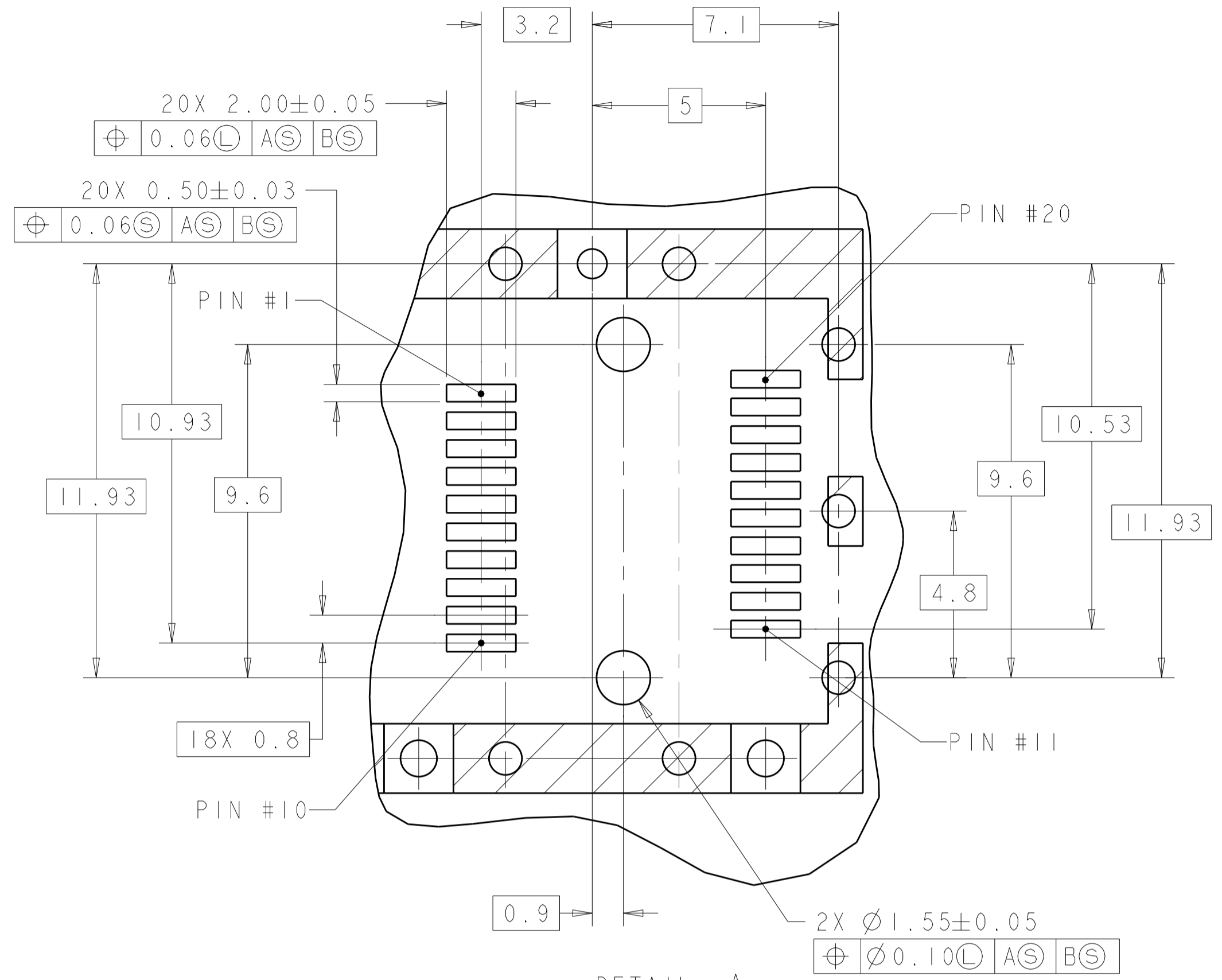
REVISIONS				
REV	DATE	BY	APP'D	DESCRIPTION
1	-	-	-	SEE SHEET 1



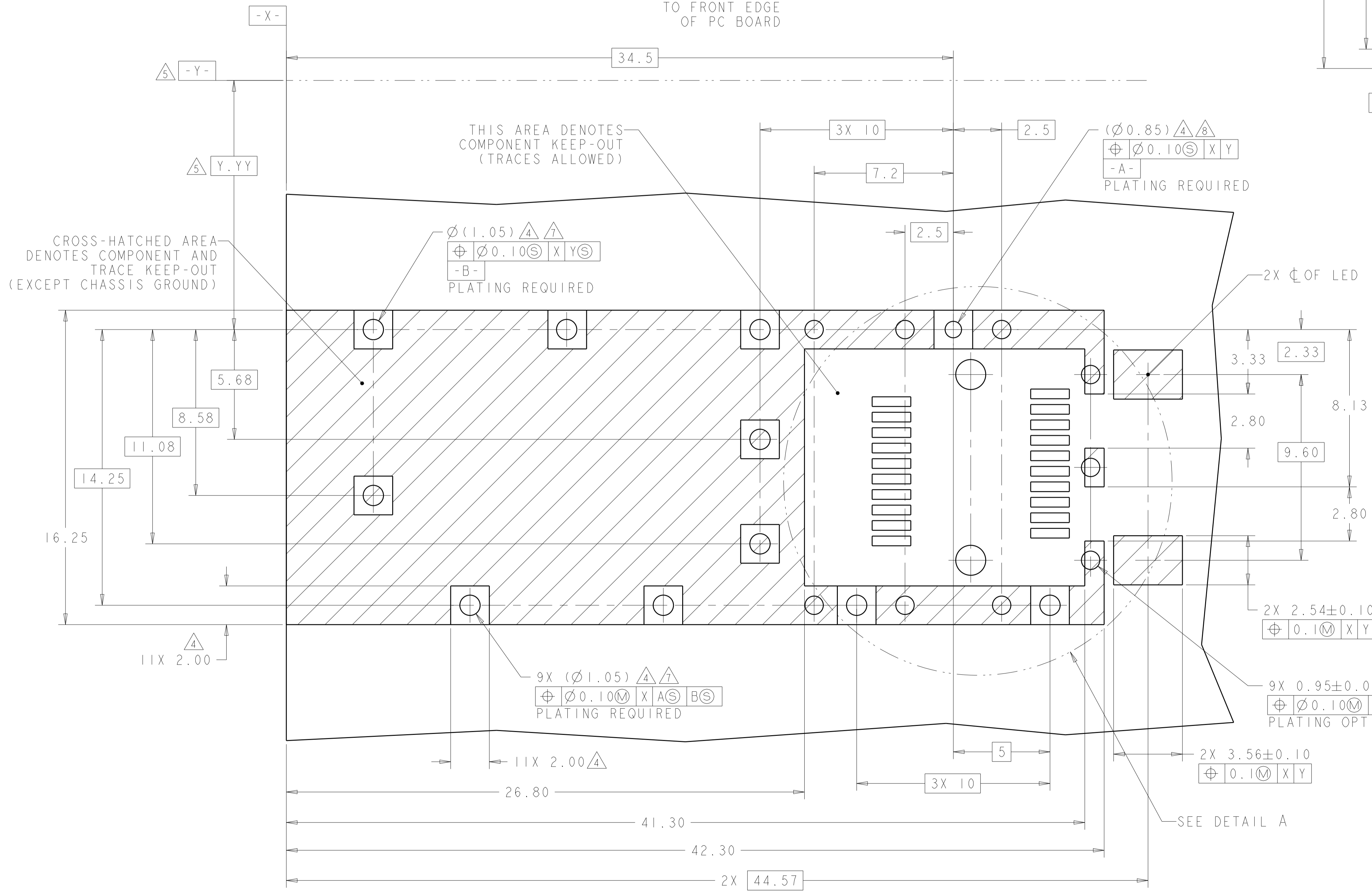
RECOMMENDED BEZEL CUTOUT SCALE 4:1



RECOMMENDED BEZEL AND PC BOARD ORIENTATION SCALE 4:1



DETAIL A SCALE 8:1



RECOMMENDED PCB LAYOUT SCALE 8:1

THIS DRAWING IS A CONTROLLED DOCUMENT.		OWN: C. ROHLER 08OCT2009	TE Connectivity
DIMENSIONS: mm		CHK: M. SCHMITT 08OCT2009	
TOLERANCES UNLESS OTHERWISE SPECIFIED:		APP'D: B. WERTZ 08OCT2009	NAME: SFP+ IXI CAGE ASSEMBLY PRESS-FIT, W/ LIGHT PIPES
0 PLC ±0.1	1 PLC ±0.1	PRODUCT SPEC: 108-2364	SIZE: CAGE CODE DRAWING NO: A100779C=2132026
2 PLC ±0.1	3 PLC ±0.05	APPLICATION SPEC: 114-13120	RESTRICTED TO: -
4 PLC ±0.05	ANGLES ±0.05	WEIGHT: -	SCALE: 6:1 SHEET 2 OF 2 REV A
MATERIAL: -	FINISH: -	CUSTOMER DRAWING	