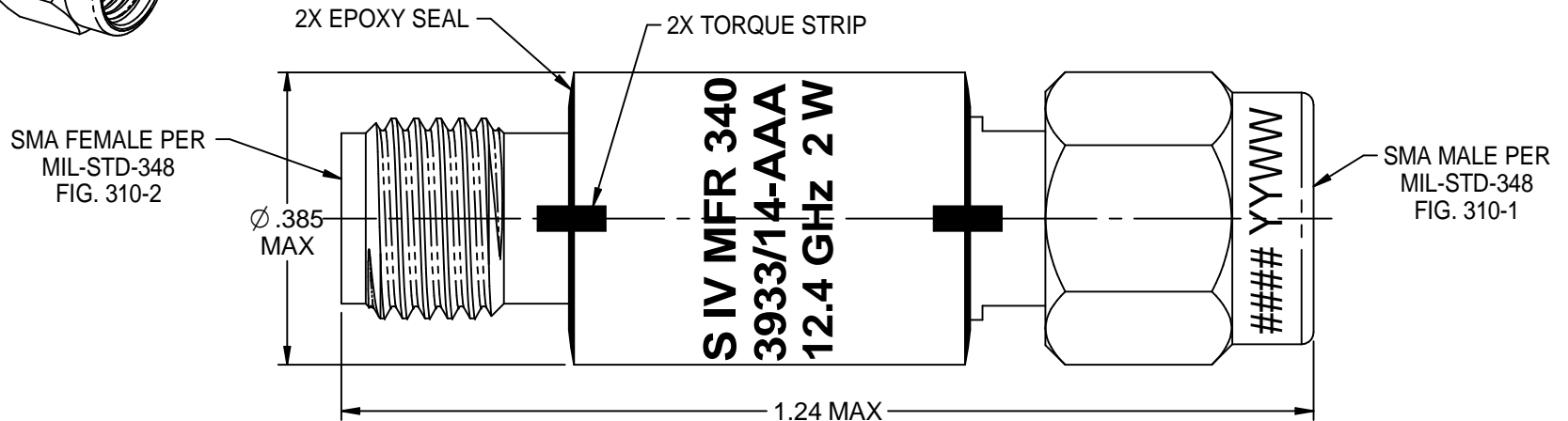
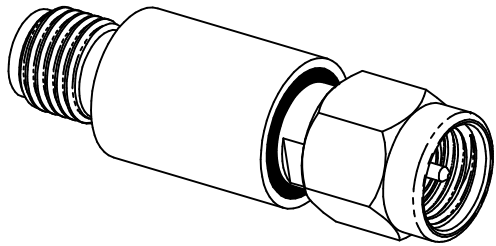


REV	ECO	DATE
J3	22216	11/16/2009
K	24181	4/3/2012
L	25289	1/12/2015



NOTES: UNLESS OTHERWISE SPECIFIED.

1. MATERIAL & FINISH:

- 1.1 BODY: PASSIVATED STAINLESS STEEL
- 1.2 DIELECTRIC: PTFE (TEFLON)
- 1.3 CENTER CONTACT: GOLD PLATED BERYLLIUM COPPER
- 1.5 GASKET: SILICONE RUBBER

2. SPECIFICATIONS:

- 2.1 FREQUENCY RANGE: DC - 12.4 GHz
- 2.2 INPEDANCE: 50 OHMS NOMINAL
- 2.3 VSWR (MAX) BOTH ENDS:
 - DC - 4.0 GHz: 1.15:1
 - 4.0 - 8.0 GHz: 1.20:1
 - 8.0 - 12.4 GHz: 1.25:1
- 2.4 ATTENUATION ACCURACY: SEE TABLE
- 2.5 MAXIMUM INPUT POWER
 - 2.5.1 AVERAGE: 2 WATTS AT 25°C DERATED LINEARLY TO 0.5 WATTS AT 125°C
 - 2.5.2 PEAK: 200 WATTS FOR A DUTY CYCLE OF 5×10^{-4} , MAX PULSE DURATION OF 5 MICROSECONDS
- 2.6 OPERATING TEMP RANGE: -55°C TO 125°C
- 2.7 WEIGHT (MAX): 0.5 oz

3. TORQUE STRIP (SCREENED MODELS ONLY):

- 3.1 ENTHONE M-9-N WHITE/CATALYST B-3, TML = 0.51%, CVCM = 0.4%

MODEL NO. (N OR S)	ATTENUATION (dB)	
	NOMINAL	ACCURACY
M3933/14-01	3	± 0.3
M3933/14-02	6	± 0.3
M3933/14-03	10	± 0.3
M3933/14-04	20	± 0.5
M3933/14-05	15	± 0.5
M3933/14-06	1	± 0.3
M3933/14-07	2	± 0.3
M3933/14-08	4	± 0.3
M3933/14-09	5	± 0.3

MODEL NO. (N OR S)	ATTENUATION (dB)	
	NOMINAL	ACCURACY
M3933/14-10	7	± 0.4
M3933/14-11	8	± 0.4
M3933/14-12	9	± 0.4
M3933/14-18	16	± 0.5
M3933/14-19	14	± 0.5
M3933/14-20	13	± 0.5
M3933/14-21	12	± 0.5
M3933/14-22	11	± 0.5
M3933/14-23	1.5	± 0.3

<p>This PROPRIETARY Document is property of Cinch Connectivity Solutions. It is confidential in nature, non-transferable, and issued with the clear understanding that it is not to be traced or copied without permission and is returnable upon demand.</p> <p>INTERPRET DRAWING IN ACCORDANCE WITH ASME Y14.5-2009.</p>	Model No. M3933/14-XX(N OR S)	MIDWEST MICROWAVE		
	RoHS2 <input checked="" type="checkbox"/> 2011/65/EU	Cage Code 34078	Title: QPL ATTENUATOR 0-20 dB	
	.XX ±.02 .XXX ±.005 ANGLES ±2°	3RD ANGLE PROJECTION 	Drawing No. M3933/14-XX(N OR S)-01	Rev. L
	Drawn by: C. WALLACE	Date: 1/21/2015	Size A	DO NOT SCALE DRAWING
		Workmanship Std: NONE	Sheet 1 of 1	