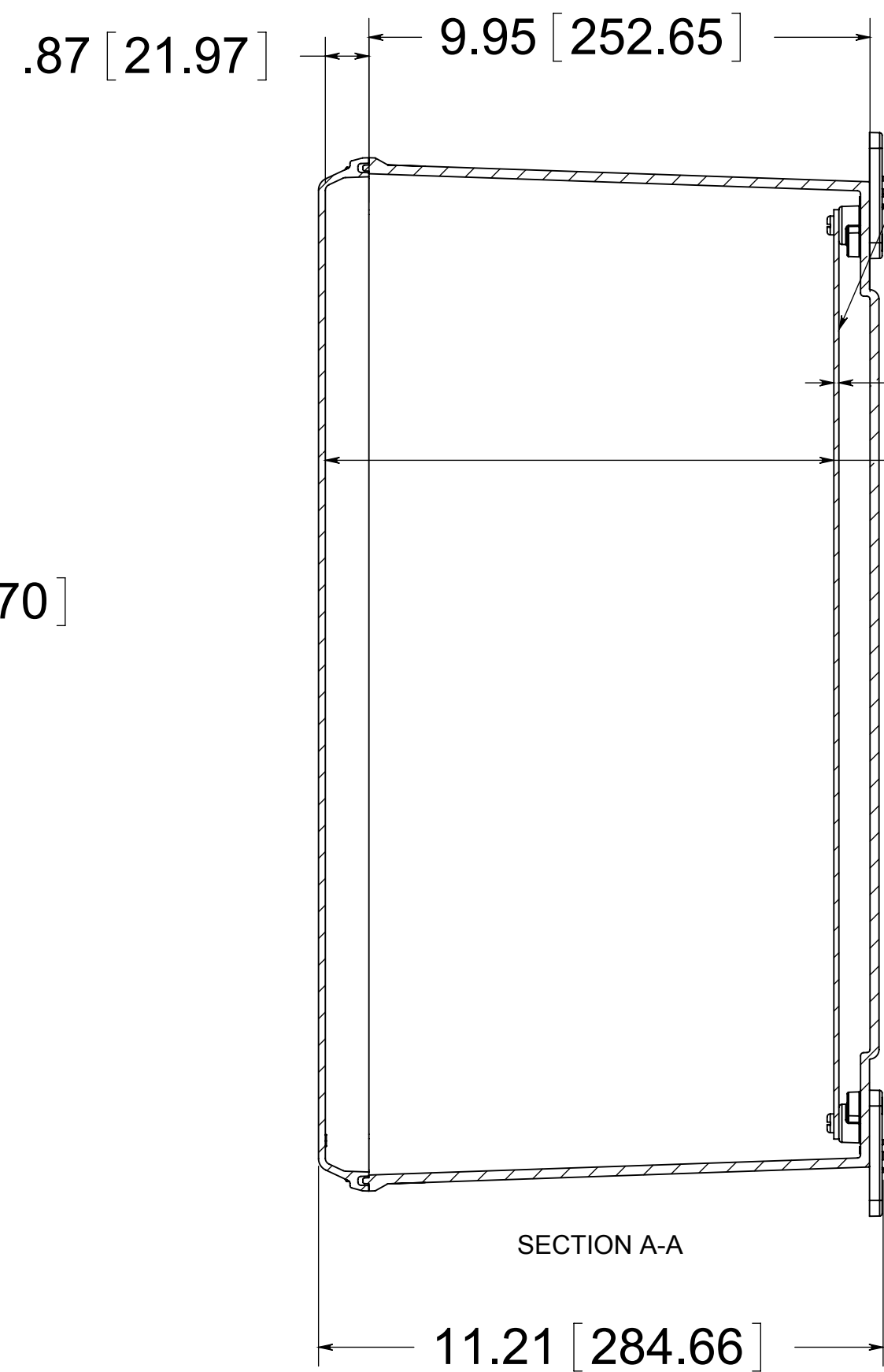


(4) EACH #10-32 BRASS INSERTS AND STAINLESS STEEL CAPTIVE COVER SCREWS WITH RETAINING O-RING



OPTIONAL BACK PANEL
 0.100 [2.54] TH'K- ALUMINUM
 0.075 [1.91] TH'K- WHITE STEEL & GALVANNEALED
 0.125 [3.18] TH'K- FIBERGLASS

(4) POLYCARBONATE FEET

.10 [2.54]
 10.09 [256.39]

(4) EACH #10-32 BRASS INSERTS, AND STAINLESS STEEL FLANGE AND FEET SCREWS

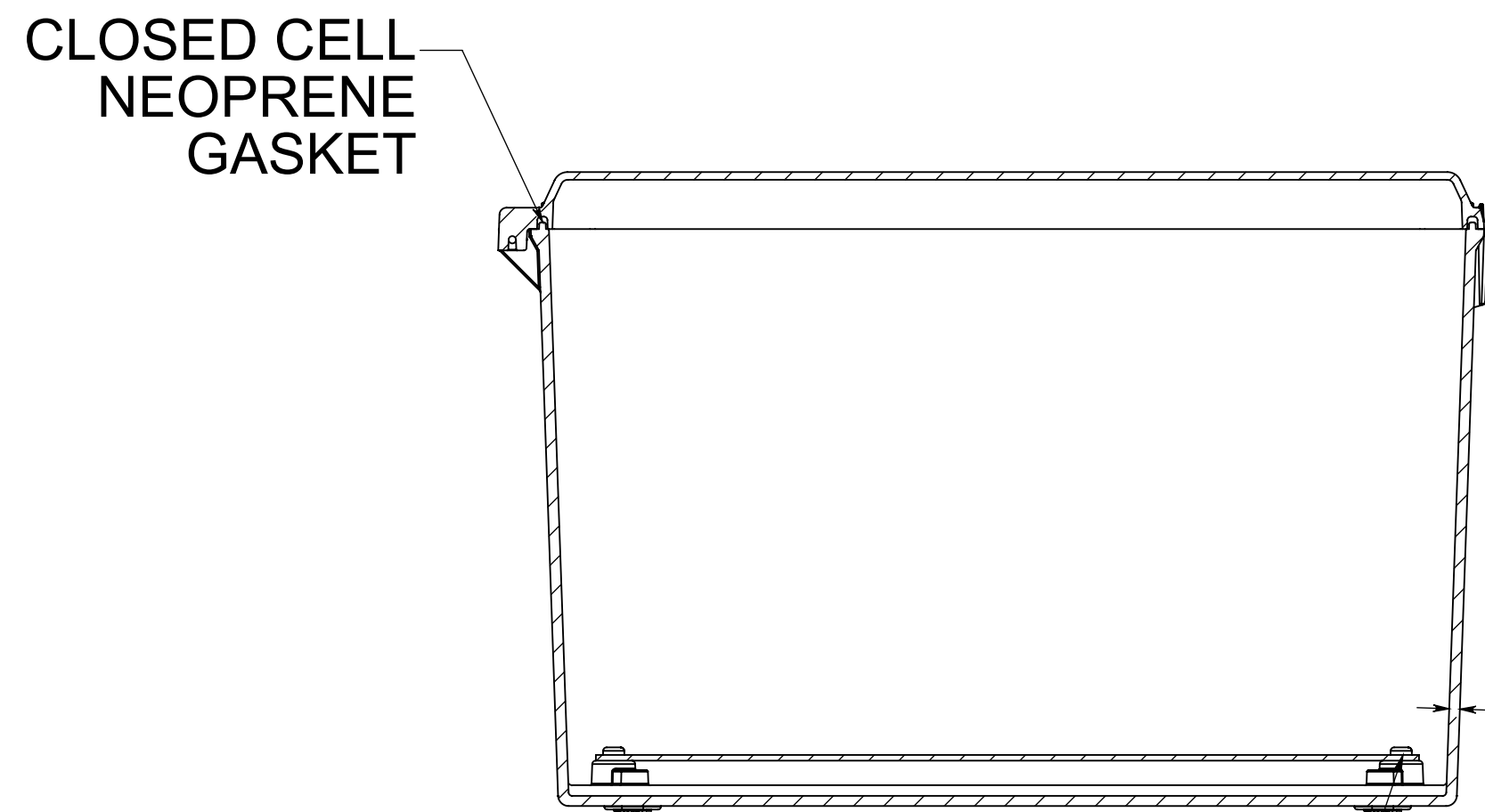
BACK VIEW

(4) Ø .31 [7.95]

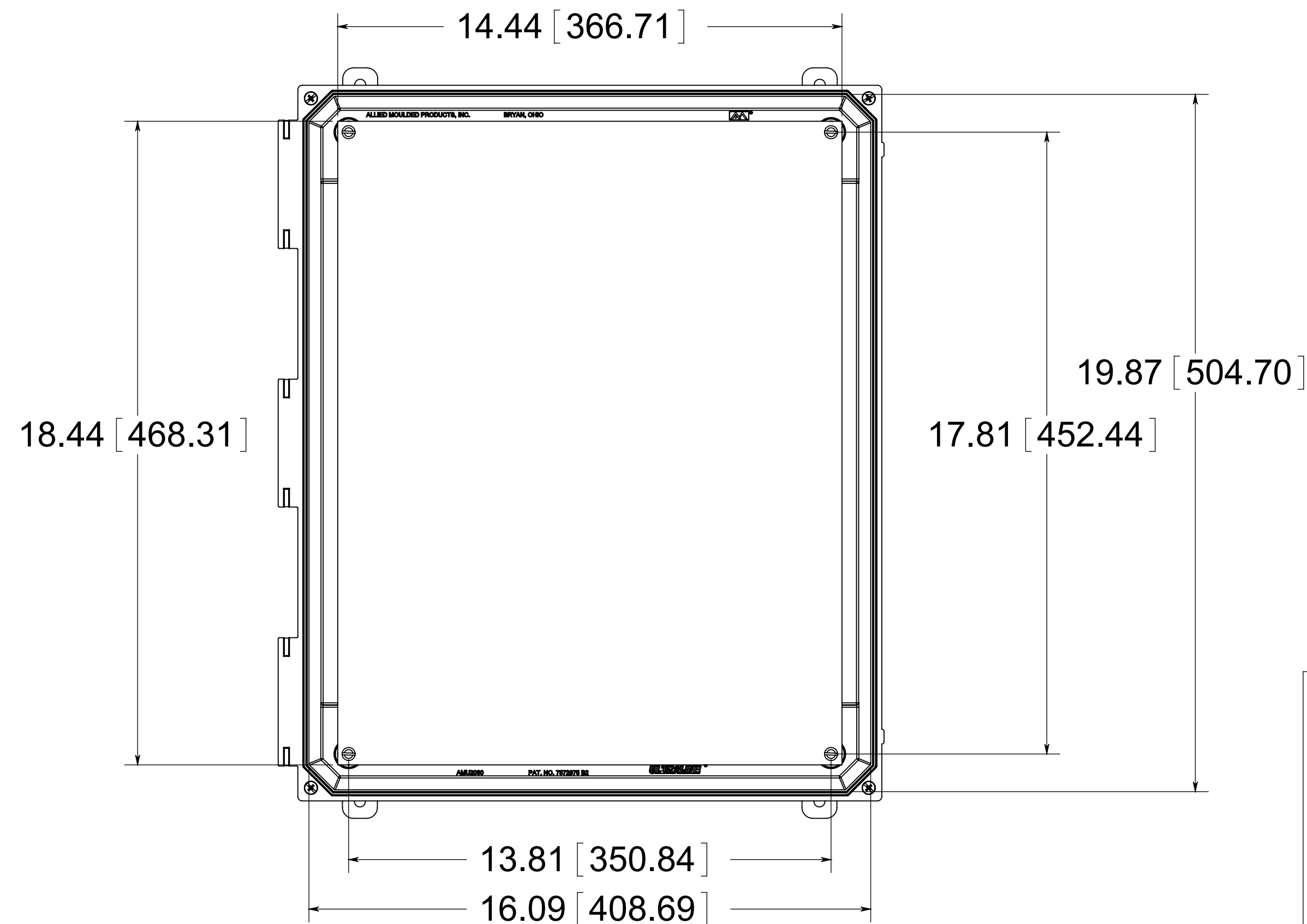
21.50 [546.07]
 20.53 [521.49]

13.16 [334.20]

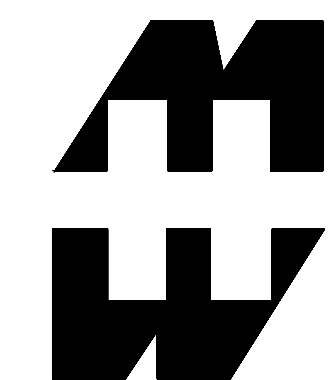
FRONT VIEW WITH COVER REMOVED AND BACK PANEL DISPLAYED



SECTION B-B
 (4) EACH #10-32 BRASS INSERTS AND PLATED CARBON STEEL SCREWS



MATERIAL:
 BOX- COMPRESSION MOLDED FIBERGLASS REINFORCED POLYESTER
 COVER- COMPRESSION MOLDED FIBERGLASS REINFORCED POLYESTER
 WINDOWS- POLYCARBONATE



PART No. PJU201610

for more information visit www.hammfg.com

Data subject to change without notice

Drawing Not to Scale