

DESCRIPTION: 972 SERIES D-SUB SLIM-LINE BACKSHELL

BACKSHELL KIT INCLUDES:

- (1) BACKSHELL
- (2) 4-40 THUMBSCREWS
- (1) PLASTIC STRAIN RELIEF
- (1) METAL STRAIN RELIEF CLAMP
- (2) STRAIN RELIEF SCREWS

972-XXX-01S-XX1

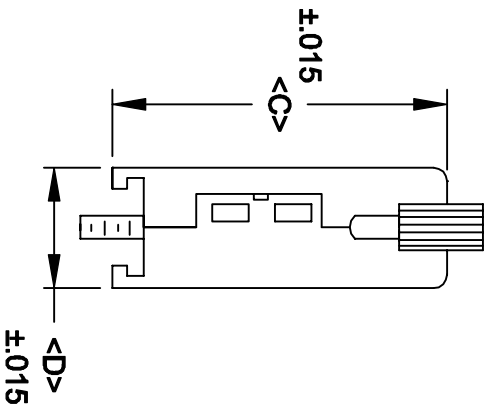
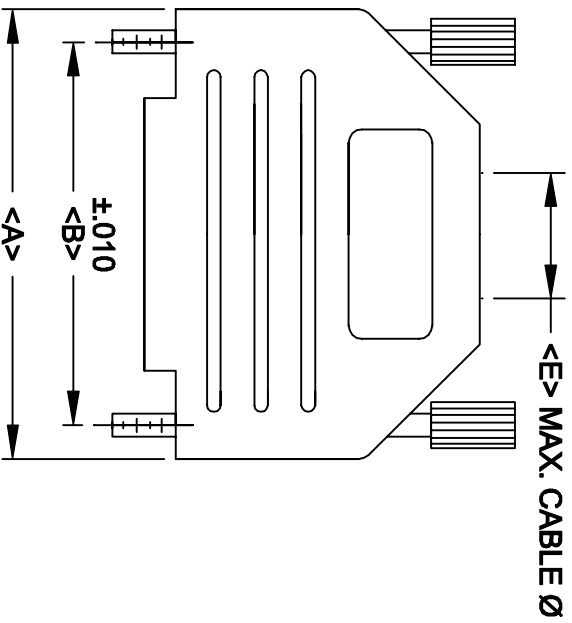
SERIES _____
POSITIONS _____

- 009
- 015
- 025
- 037

MATERIAL _____
01S = PLASTIC/SLIM LINE

- COLOR: _____
- 01 = BLACK
 - 02 = WHITE
 - 03 = GREY
 - 04 = GREEN
 - 05 = BROWN
 - 06 = RED
 - 07 = BLUE
 - 08 = YELLOW
 - 09 = BEIGE
 - 10 = IVORY
 - 11 = DEC GREY

PUT-UPS _____
1 = KIT



POS.	DIMENSIONS				
	A	B	C	D	E
9	1.240	.984	1.339	.591	.453
	31.50	24.99	34.00	15.00	11.50
15	1.575	1.312	1.339	.591	.453
	40.00	33.32	34.00	15.00	11.50
25	2.106	1.852	1.575	.591	.453
	53.50	47.04	40.00	15.00	11.50
37	2.795	2.500	1.575	.591	.453
	71.00	63.50	40.00	15.00	11.50

MATERIAL: HIGH TEMPERATURE

ABS PLASTIC - U.L.94V-2
MANY COLORS AVAILABLE



THESE DRAWINGS AND SPECIFICATIONS ARE THE PROPERTY OF NorComp AND SHALL NOT BE REPRODUCED, COPIED OR USED AS THE BASIS FOR THE MANUFACTURE OF APPARATUS WITHOUT WRITTEN PERMISSION.

DRAWN: _____ DATE: 12-6-01
CHECKED: PAM JENKINS
DATE: _____

SCALE: _____ SHEET 1 OF 1 REV 2

NorComp

DWG NO. 972-XXX-01S-XX1