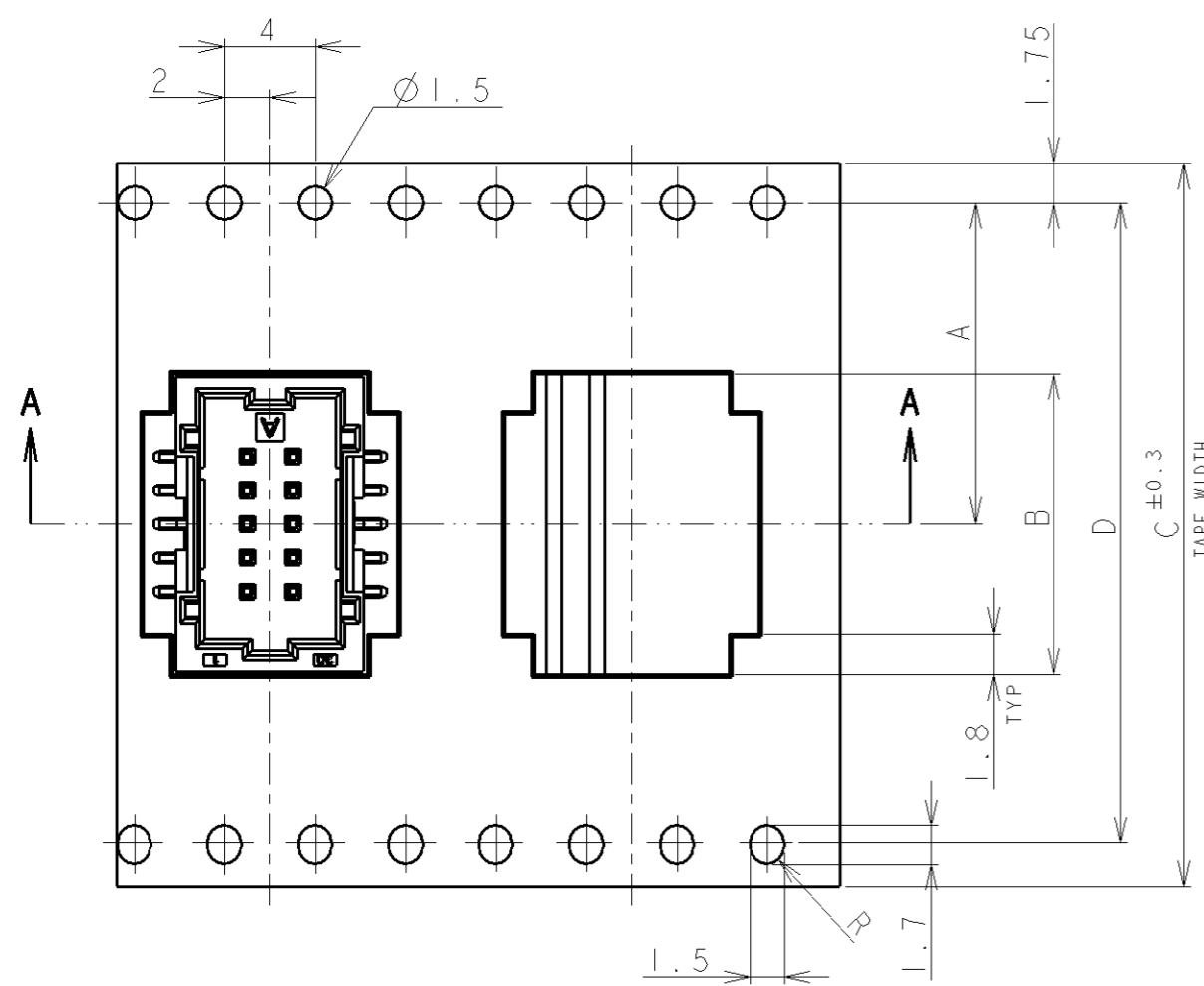
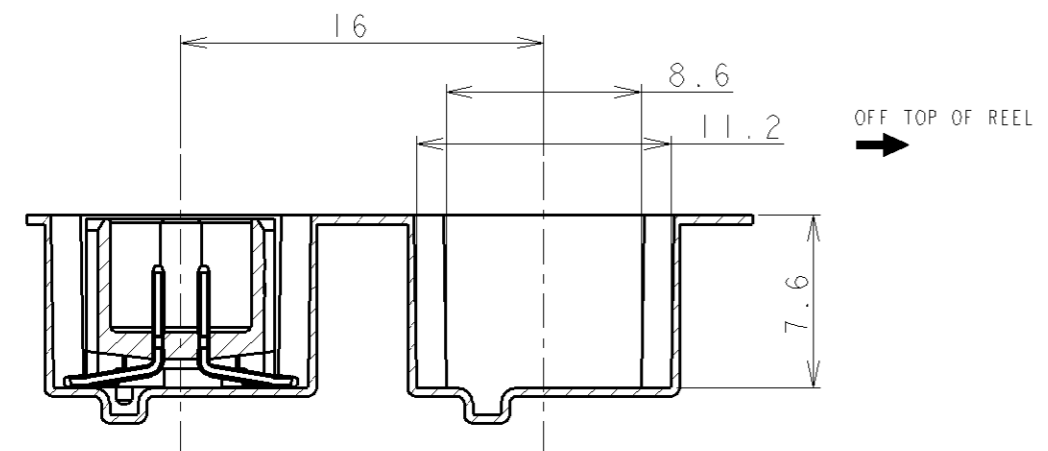
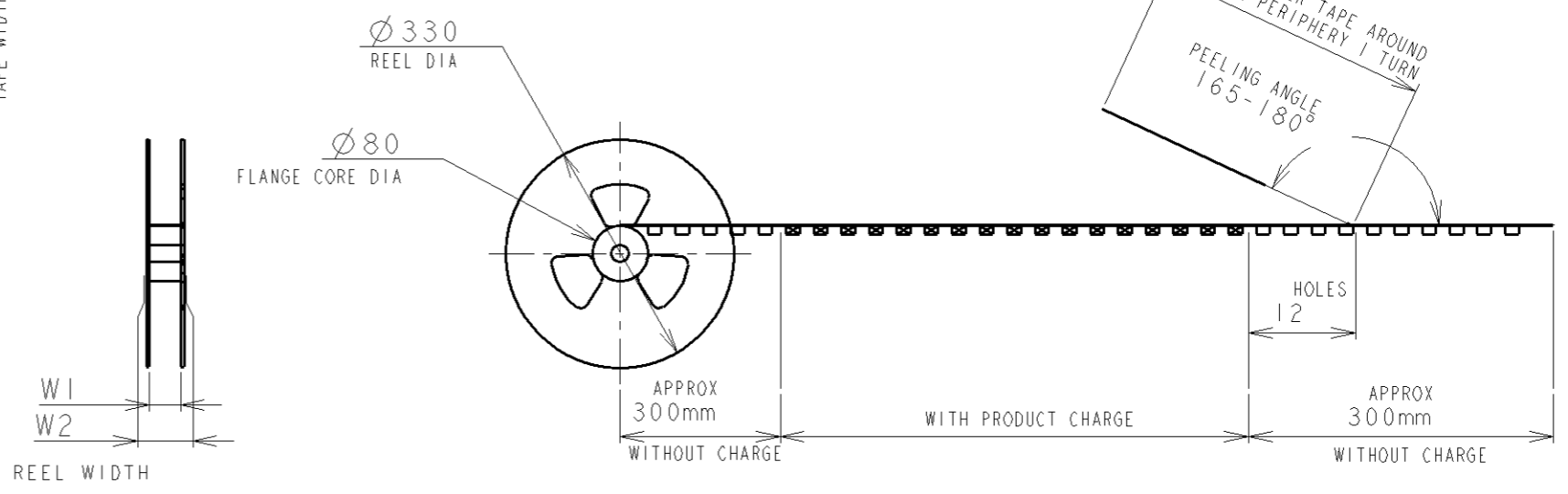
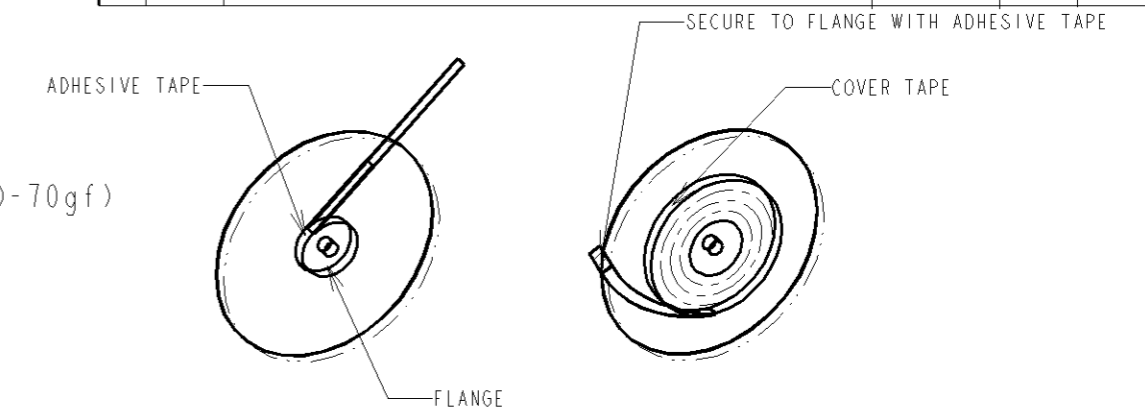


LOC	DIST	REVISIONS			
P	LTR	DESCRIPTION	DATE	DWN	APVD
ES	00	BI REVISED	ECR-09-024244	06NOV09	C.Z S.Y



NOTE:
 1. PEELING STRENGTH: 0.20-0.69N(20-70gf)
 PEELING ANGLE: 165-180°
 PEELING SPEED: 300mm/MINUTE.



SECT A-A

TOLERANCES UNLESS OTHERWISE SPECIFIED:

10 >	: ±0.2
30 > * > 10	: ±0.25
100 > * > 30	: ±0.3
ANGLE	: ±3°

THIS DRAWING IS A CONTROLLED DOCUMENT FOR AMP INCORPORATED. IT IS SUBJECT TO CHANGE AND THE CONTROLLING ENGINEERING ORGANIZATION SHOULD BE CONTACTED FOR THE LATEST REVISION.		DWN	S. XU	31JAN03	Tyco Electronics Corporation SHANGHAI, CHINA
DIMENSIONS: mm		CHK	S. YAO	31JAN03	
TOLERANCES UNLESS OTHERWISE SPECIFIED:		APVD	T. SASAKI	31JAN03	
0 PLC ±- 1 PLC ±0.1 2 PLC ±0.15 3 PLC ±0.001 4 PLC ±0.0001 ANGLES ±-		PRODUCT SPEC	108-60018		
MATERIAL		APPLICATION SPEC	114-5223		NAME
FINISH		WGT	CUSTOMER DRAWING		AMP Mini Common Terminated (CT) Connector 1.5mm PITCH DOUBLE ROW POST HDR ASS'Y (V) SMT TYPE WITH BOSS, EMBOSS TAPE PACKAGED
		SCALE	NON		SIZE
		SHEET	1 of 4		CAGE CODE
		REV	B1		DRAWING NO
			A3		RESTRICTED TO
			00779		
			C-292229		


LOC	DIST	REVISIONS					
FB	00	P	LTR	DESCRIPTION	DATE	DWN	APVD

37.5	33.5	52.4	56	35.8	26.2	400	40	BLACK	9-292229-0
37.5	33.5	40.4	44	34.3	20.2	400	38		8-292229-8
37.5	33.5	40.4	44	32.8	20.2	400	36		8-292229-6
29.5	25.5	40.4	44	31.3	20.2	400	34		8-292229-4
29.5	25.5	40.4	44	29.8	20.2	400	32		8-292229-2
29.5	25.5	40.4	44	28.3	20.2	400	30		8-292229-0
29.5	25.5	40.4	44	26.8	20.2	400	28		7-292229-8
21.5	17.5	40.4	44	25.3	20.2	400	26		7-292229-6
21.5	17.5	40.4	44	23.8	20.2	400	24		7-292229-4
21.5	17.5	28.4	32	22.2	14.2	400	22		7-292229-2
W2	W1	D	C	B	A	QTY/REEL	POS	COLOR	ON TAPE P/N
DIMENSIONS									

37.5	33.5	52.4	56	35.8	26.2	400	40	BEIGE	4-292229-0
37.5	33.5	40.4	44	34.3	20.2	400	38		3-292229-8
37.5	33.5	40.4	44	32.8	20.2	400	36		3-292229-6
29.5	25.5	40.4	44	31.3	20.2	400	34		3-292229-4
29.5	25.5	40.4	44	29.8	20.2	400	32		3-292229-2
29.5	25.5	40.4	44	28.3	20.2	400	30		3-292229-0
29.5	25.5	40.4	44	26.8	20.2	400	28		2-292229-8
21.5	17.5	40.4	44	25.3	20.2	400	26		2-292229-6
21.5	17.5	40.4	44	23.8	20.2	400	24		2-292229-4
21.5	17.5	28.4	32	22.2	14.2	400	22		2-292229-2
W2	W1	D	C	B	A	QTY/REEL	POS	COLOR	ON TAPE P/N
DIMENSIONS									

THIS DRAWING IS UNPUBLISHED.

© COPYRIGHT BY TYCO ELECTRONICS CORPORATION. ALL RIGHTS RESERVED.

DIMENSIONS: mm	DWN	WIRE RANGE		INSULATION DIA	
	CHK	MATERIAL		FINISH	
TOLERANCES UNLESS OTHERWISE SPECIFIED:	APVD	 Tyco Electronics Corporation SHANGHAI, CHINA			
0 PLC ±-	PRODUCT SPEC	NAME AMP Mini Common Terminated (CT) Connector 1.5mm PITCH			
1 PLC ±0.1	SEE SHEET 1 OF 4	DOUBLE ROW POST HDR ASS'Y (V)			
2 PLC ±0.15	APPLICATION SPEC	SMT TYPE WITH BOSS, EMBOSS TAPE PACKAGED			
3 PLC ±0.001	SEE SHEET 1 OF 4	SIZE	CAGE CODE	DRAWING NO	RESTRICTED TO
4 PLC ±0.0001	WEIGHT	A4	00779	C-292229	-
ANGLES ±-	CUSTOMER DRAWING	SCALE NON		SHEET 2 OF 4	REV B1

4

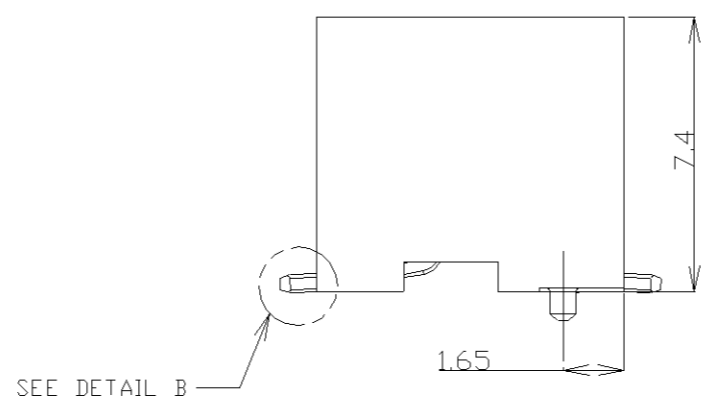
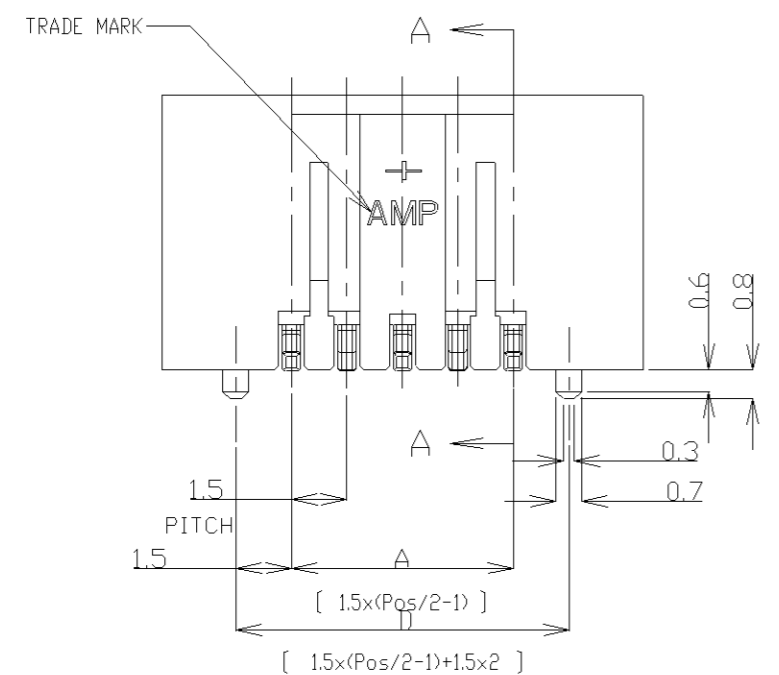
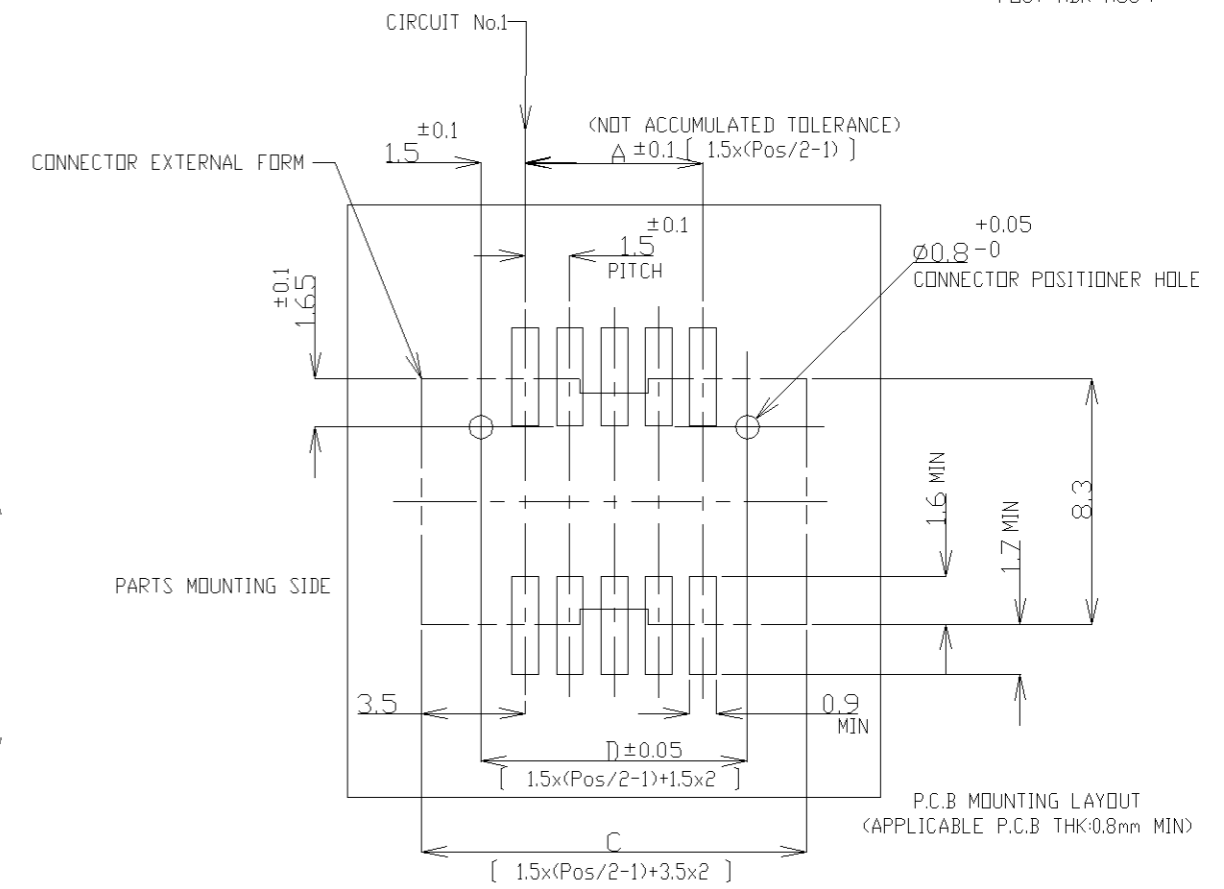
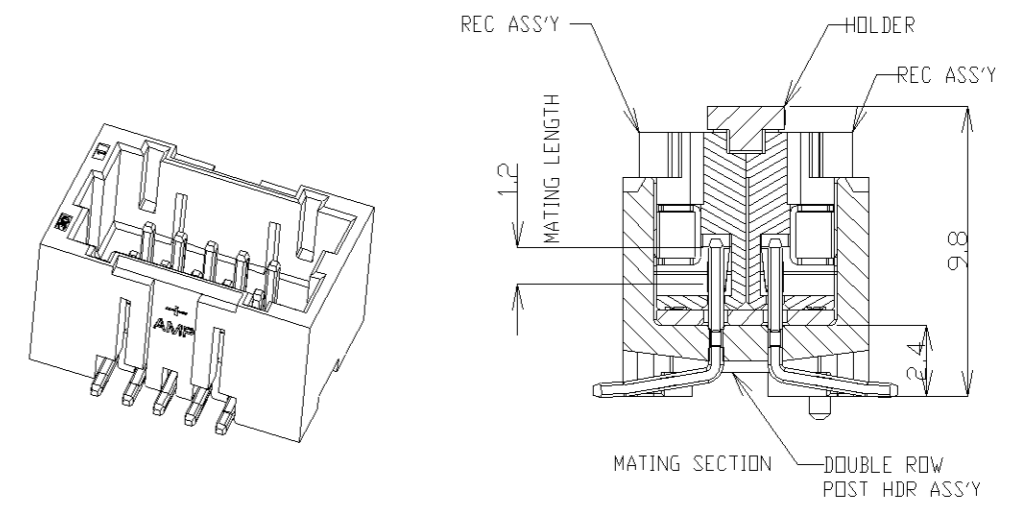
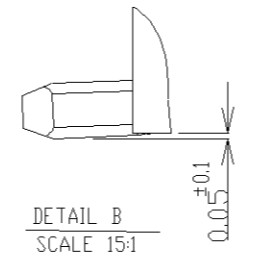
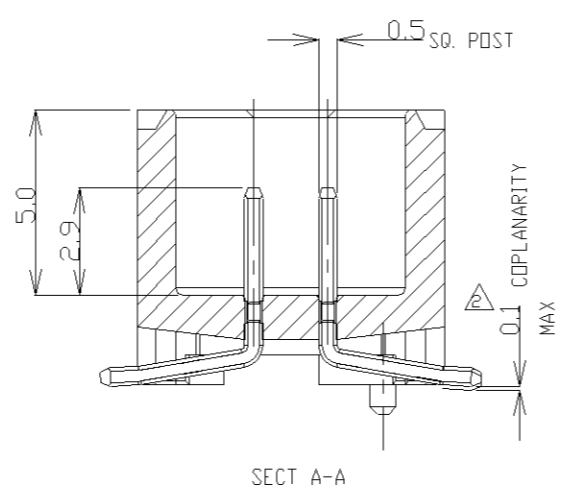
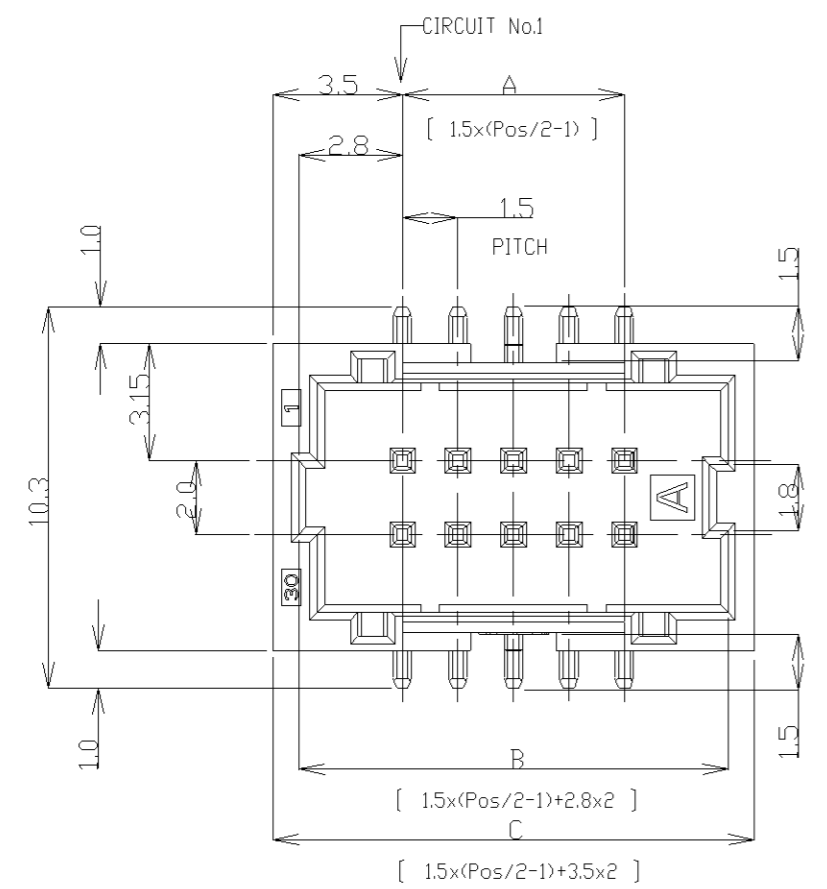
3

2

1

THIS DRAWING IS UNPUBLISHED. RELEASED FOR PUBLICATION
 © COPYRIGHT BY TYCO ELECTRONICS CORPORATION. ALL INTERNATIONAL RIGHTS RESERVED.

LOC	DIST	REVISIONS					
		P	LTR	DESCRIPTION	DATE	DWN	APVD
ES	00	-	-		-	-	-



NOTES:
 1. MATERIAL:
 HOUSING-HIGH HEAT RESISTANT, GLASS FILLED NYLON, UL94V-0, COLOR-BEIGE, BLACK
 POST:Sn-100% BRASS WIRE
 TO BE MEASURED WITH CONNECTOR PLACED ON HORIZONTAL DATUM SURFACE,
 FLOAT OF SOLDER TINE FROM DATUM SURFACE IS 0.1mm MAX.

TOLERANCES UNLESS OTHERWISE SPECIFIED:

10 >	±0.2
30 > 10	±0.25
100 > 30	±0.3
ANGLE	±3°

THIS DRAWING IS A CONTROLLED DOCUMENT.

DIMENSIONS:	TOLERANCES UNLESS OTHERWISE SPECIFIED:
mm	0 PLC ±
	1 PLC ±
	2 PLC ±
	3 PLC ±
	4 PLC ±
	ANGLES ±
MATERIAL	FINISH
SEE NOTE 1	SEE NOTE 1

DWN	---	Tyco Electronics	Tyco Electronics Corporation	
CHK	---		Shanghai, P.R. China, 200233	
APVD	---	NAME	AMP Mini Common Terminated (CT) Connector	
PRODUCT SPEC	---	1.5mm PITCH DBL ROW POST HDR ASS'Y (V)		
APPLICATION SPEC	---	SMT TYPE WITH BOSS		
WEIGHT	---	SIZE	CAGE CODE	DRAWING NO
CUSTOMER DRAWING	---	A3	00779	C=292229
SCALE	NON	SHEET	3 of 4	REV B1

LOC	DIST	REVISIONS						
		P	LTR	DESCRIPTION	DATE	DWN	APVD	
—	—		—	—		—	—	—

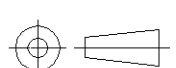
31.5	35.5	34.1	28.5	40	9-292229-0	4-292229-0
30.0	34.0	22.6	27.0	38	8-292229-8	3-292229-8
28.5	32.5	31.1	25.5	36	8-292229-6	3-292229-6
27.0	31.0	29.6	24.0	34	8-292229-4	3-292229-4
25.5	29.5	28.1	22.5	32	8-292229-2	3-292229-2
24.0	28.0	26.6	21.0	30	8-292229-0	3-292229-0
22.5	26.5	25.1	19.5	28	7-292229-8	2-292229-8
21.0	25.0	23.6	18.0	26	7-292229-6	2-292229-6
19.5	23.5	22.1	16.5	24	7-292229-4	2-292229-4
18.0	22.0	20.6	15.0	22	7-292229-2	2-292229-2
D	C	B	A	Pos.	BLACK	BEIGE
DIMENSIONS					P/N	

THIS DRAWING IS UNPUBLISHED.

ALL INTERNATIONAL RIGHTS RESERVED.

© COPYRIGHT BY TYCO ELECTRONICS CORPORATION.

THIS DRAWING IS UNPUBLISHED.

DIMENSIONS: mm	DWN	MATERIAL	FINISH
	CHK	Tyco Electronics Corporation Shanghai, P.R. China, 200233	
TOLERANCES UNLESS OTHERWISE SPECIFIED:	APVD	NAME	
0 PLC ± -	PRODUCT SPEC	AMP Mini Common Terminated (CT) Conn. 1.5mm PITCH	
1 PLC ± -	APPLICATION SPEC	DBL ROW POST HDR ASS'Y (V) SMT TYPE W BOSS	
2 PLC ± -	WEIGHT	SIZE	CAGE CODE
3 PLC ± -		A4	00779
4 PLC ± -		DRAWING NO	RESTRICTED TO
ANGLES ± -		C-292229	
	CUSTOMER DRAWING		SCALE NON
			SHEET 4 of 4
			REV B1