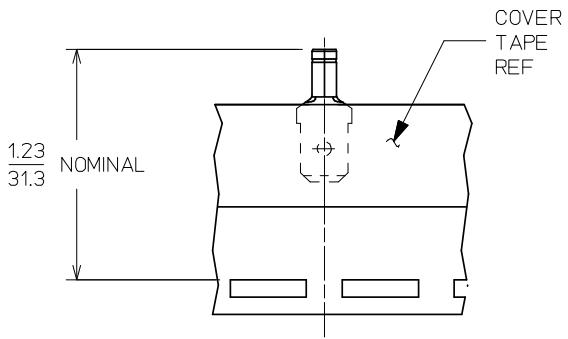
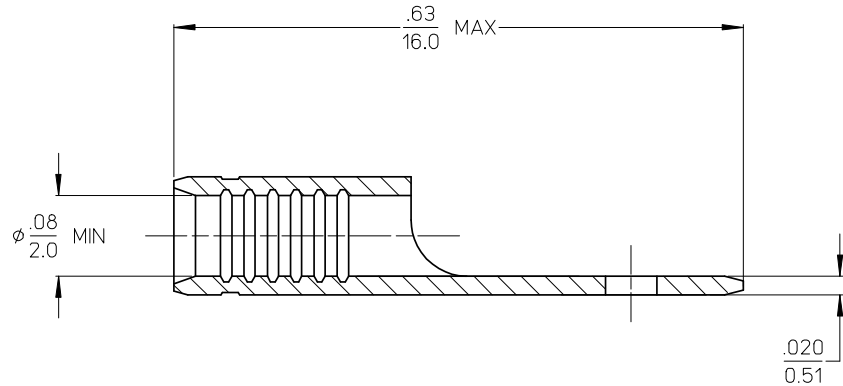
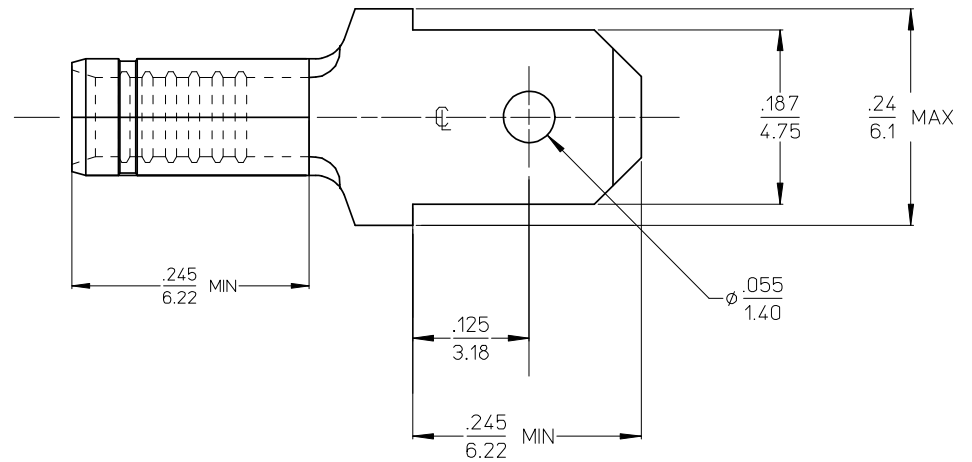


	13	12	11	10	9	8	7	6	5	4	3	2	1
	MATERIAL NUMBER	ENGINEERING NUMBER	FINISH	CARRIER									
J	190220006	AMCT-17	ZINC CHROMATE PLATING	LOOSE PIECE									
	190220009	AMCT-17T	ZINC CHROMATE PLATING	TAPE MOUNTED									



190220009 (AMCT-17T)
PARTS ON TAPE



- (A) NOTES:
1. MATERIAL: BRASS
 2. FINISH: SEE CHART
 3. WIRE SIZE: 22-18 AWG (0.38-0.96 mm²)
 4. TAB DIMENSIONS CONFORM TO UL310 SPECIFICATIONS.
 5. PART IS ROHS COMPLIANT.

CHANGED MATERIAL EC NO: ETC2007-0081 DRAWN:EHILE 2008/01/28 CHKD:JMACNEIL 2008/01/28 APPR:JMACNEIL 2008/02/13	QUALITY SYMBOLS ▽=0 ▽=0	GENERAL TOLERANCES (UNLESS SPECIFIED)		DIMENSION STYLE IN/MM	SCALE 10:1	DESIGN UNITS INCH	THIRD ANGLE PROJECTION	
		4 PLACES ±--- ±---	3 PLACES ±--- ±.005	2 PLACES ±0.13 ±.01	1 PLACE ±0.25 ±---	ANGULAR ±---°	DRAWN BY DATE GZ 1985/02/20	
DRAFT WHERE APPLICABLE MUST REMAIN WITHIN DIMENSIONS		MATERIAL NO. SEE CHART			TITLE MALE CONNECTOR TERMINAL LONG BARREL .187 X .020 22-18 AWG			
REV A		MATERIAL NO. SEE CHART			DOCUMENT NO. SD-19022-017			SHEET NO. 1 OF 1
THIS DRAWING CONTAINS INFORMATION THAT IS PROPRIETARY TO MOLEX INCORPORATED AND SHOULD NOT BE USED WITHOUT WRITTEN PERMISSION								