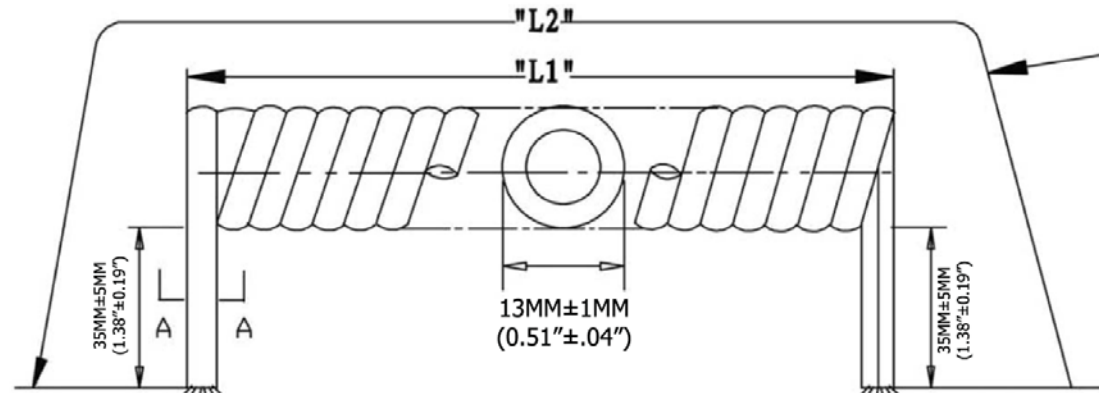


A



Extended length is with 500g of force

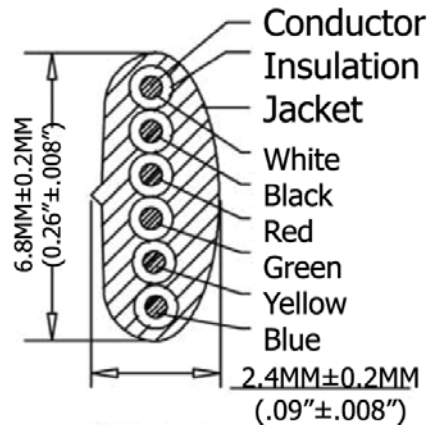
BLUE YELLOW GREEN RED BLACK WHITE

BLUE YELLOW GREEN RED BLACK WHITE

B

C

D



| Extended Length ("L2") | Typical Retracted Length ("L1") |
|-----------------------------|---------------------------------|
| 168.0 Inches - 193.2 Inches | 53.5 Inches |
| 4,267.2MM-4,907.28MM | 1,358.9MM |

Material:

- Conductor(X6C): 26AWG (0.12X12) Bare Copper
- Insulation(X6C):PP6331 ID 0.95-1.0
- Jacket: PVC NO UL 80P
- Package: Individual PE Bag

E

F

G

H



| Scale | 1:1 | | | | Name |
|-----------|-------|--------------|------|----------|----------|
| TOLERANCE | | | | Drawn | 12.19.11 |
| X.X | ±0.40 | | | Chappell | |
| X.XX | ±0.25 | | | Approved | |
| X.XXX | ±0.15 | | | | |
| Angle | ±3° | | | | |
| | | | | | |
| | | | | | |
| | | | | | |
| | | Modification | Date | Name | |



| | | |
|-------------|--|--------------|
| Item No. | AT-K-C-26-6-S/14 | |
| Title | NON-UL 26AWG (0.16/7)*6C, O.D.: 2.4*6.8MM, Pre-Cut, 14Ft., silver | |
| Drawing No. | | rev00 |
| Replace | | Sheet |