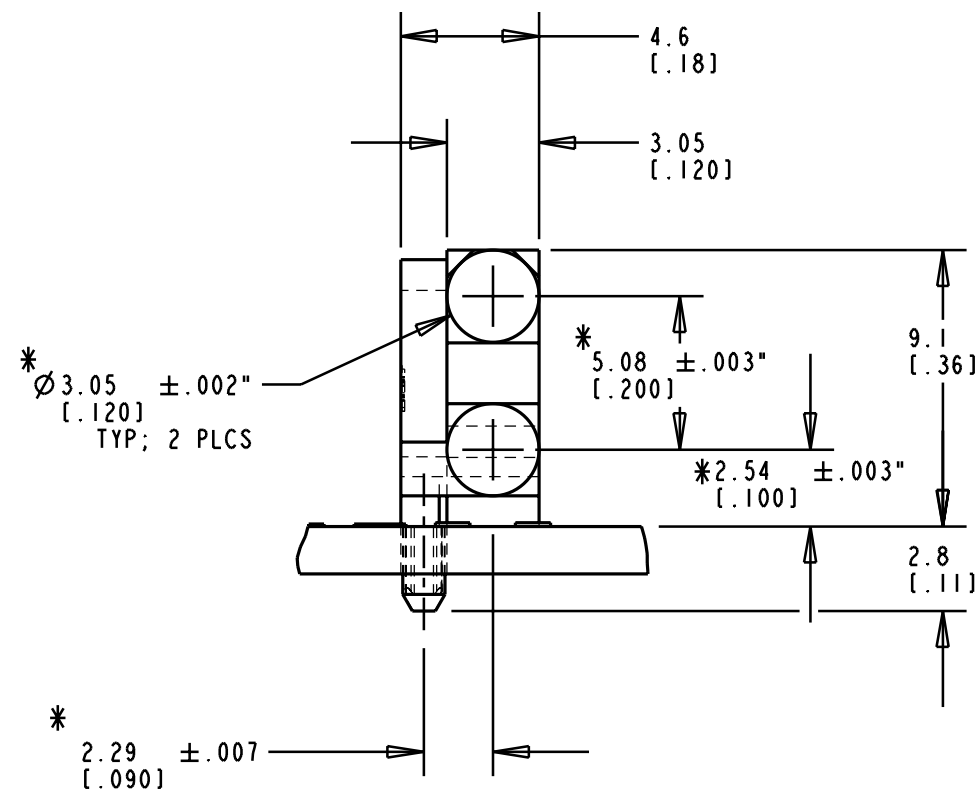
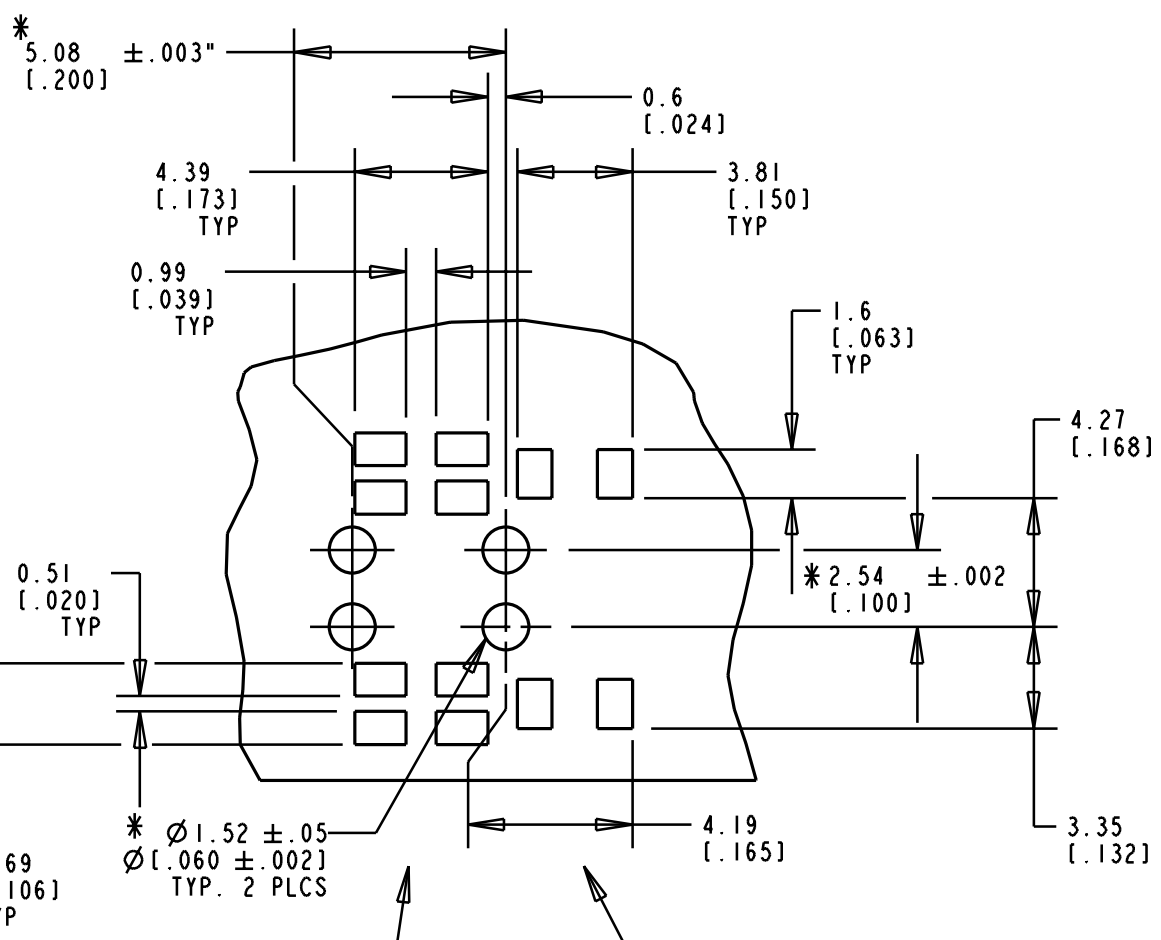
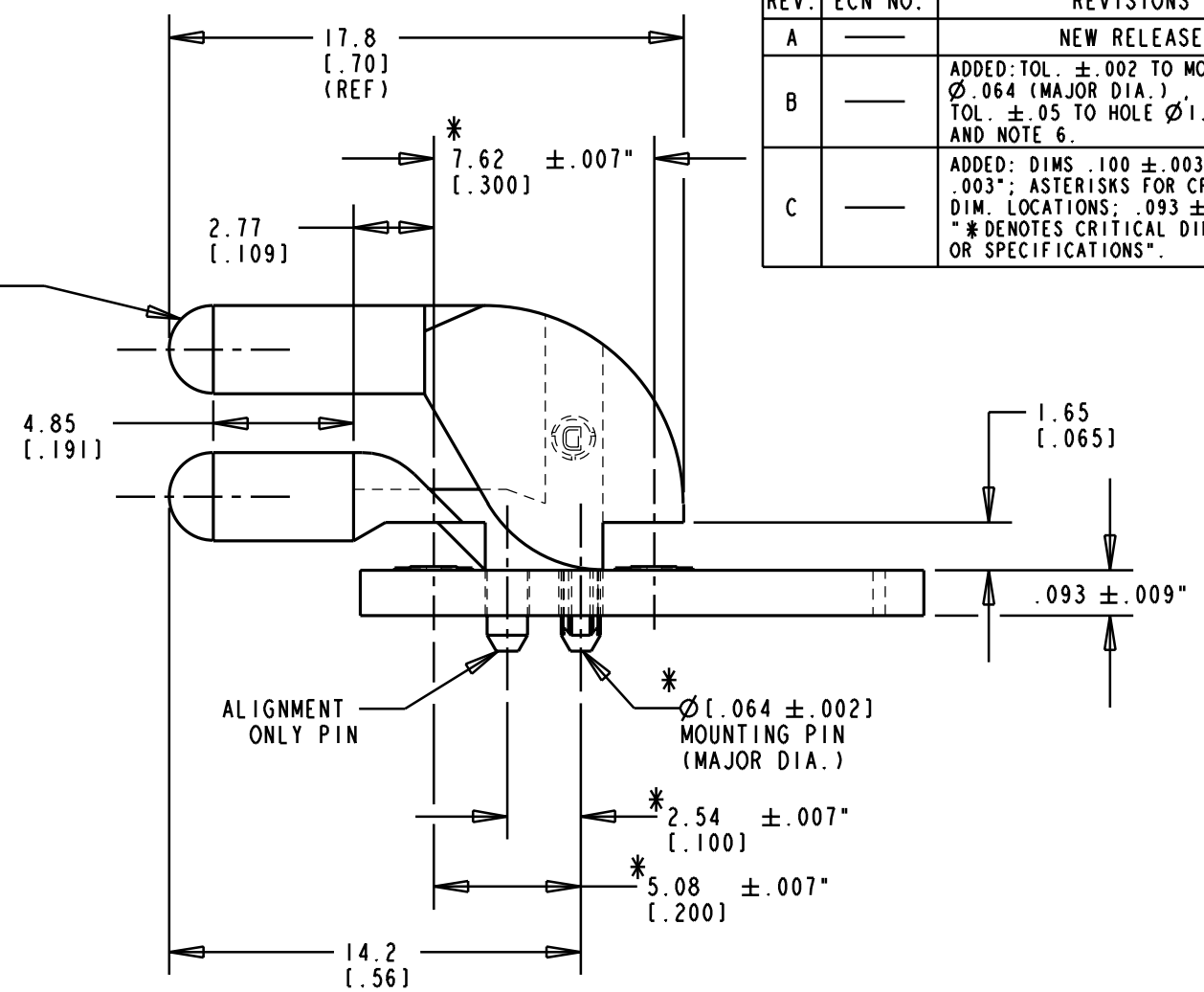


REV.	ECN NO.	REVISIONS	DRN.	CKD.	APP.	DATE
A		NEW RELEASE	ADM	D.C.	N.O.	2-05-01
B		ADDED: TOL. $\pm .002$ TO MOUNTING PIN $\phi .064$ (MAJOR DIA.); TOL. $\pm .05$ TO HOLE $\phi 1.52$ ; AND NOTE 6.	ADM	D.C.	N.O.	2-05-01
C		ADDED: DIMS $.100 \pm .003$ ; $.200 \pm .003$ ; ASTERISKS FOR CRITICAL DIM. LOCATIONS; $.093 \pm .009$ AND "*" DENOTES CRITICAL DIMENSIONS OR SPECIFICATIONS".	ADM			

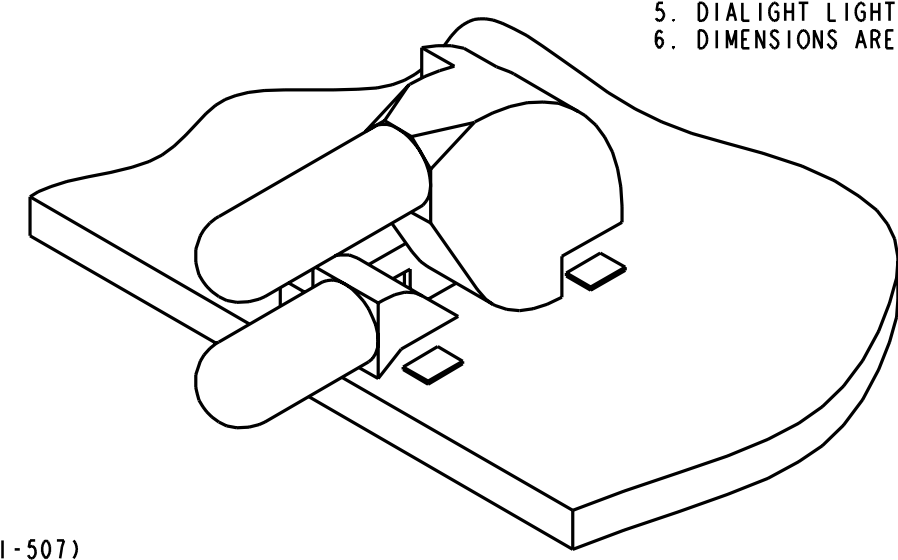


DIFFUSED FRONT SURFACES; 2 PLCS



\* DENOTES CRITICAL DIMENSION OR SPECIFICATION

- NOTES:
1. COMPONENT TO BE MOLDED IN A CLEAR TRANSMISSIVE POLYCARBONATE.
  2. COMPONENT DESIGNED TO BE PRESSED INTO P.C. BOARD.
  3. MINIMUM ALLOWABLE PITCH IS .200 FOR EITHER BI-COLOR OR SINGLE.
  4. LIGHTSOURCES: SMT LED (DIALIGHT PART NUMBERS: 597-3XXI-5XX OR 597-77XI-5XX).
  5. DIALIGHT LIGHTPIPE PART NUMBER: 515-1114.
  6. DIMENSIONS ARE IN mm AND [INCHES].



BICOLOR PADS (P/N: 597-77XI-507)

SOLDER PAD/HOLES LAYOUT

SINGLE COLOR PADS (P/N: 597-3XXI-507)

THIS DRAWING AND THE CONTENTS HEREIN ARE CONFIDENTIAL AND THE SOLE PROPERTY OF DIALIGHT. REPRODUCTION OF THIS DRAWING OR CONSTRUCTION OF ANY PARTS WITHIN THIS DRAWING ARE FORBIDDEN WITHOUT THE WRITTEN CONSENT OF DIALIGHT.		
SCALE 4:1 ALL DIM'S IN INCHES (MM)	DRAWING NUMBER C-16789	REV C
TOLERANCES: UNLESS OTHERWISE SPECIFIED FRACTIONS: $\pm 1/64$ DECIMALS (.XX): $\pm .02$ DECIMALS (.XXX): $\pm .015$ DECIMALS (.XXXX): $\pm .0005$ ANGLES: $\pm 3^\circ$	TITLE BI-LEVEL LIGHTPIPE (EXTENDED)	
FINISH:	MATERIAL	
FSCM 83330	Dialight	1501 ROUTE 34 SOUTH FARMINGDALE, NJ 07727
	SHEET 1 OF 1	FAMILY TABLE: