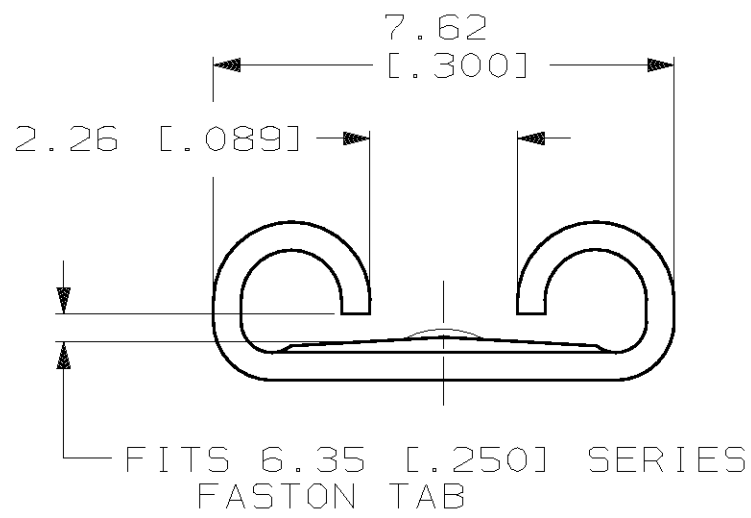
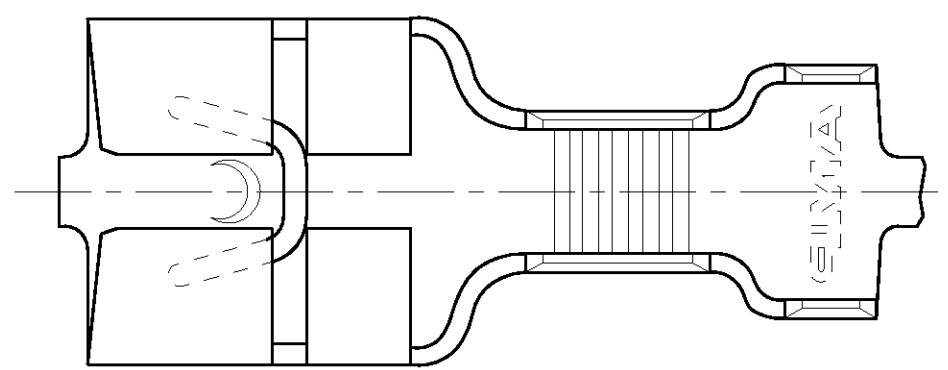


THIS DRAWING IS UNPUBLISHED. RELEASED FOR PUBLICATION, 19  
 © COPYRIGHT 19 BY AMP INCORPORATED. ALL INTERNATIONAL RIGHTS RESERVED.

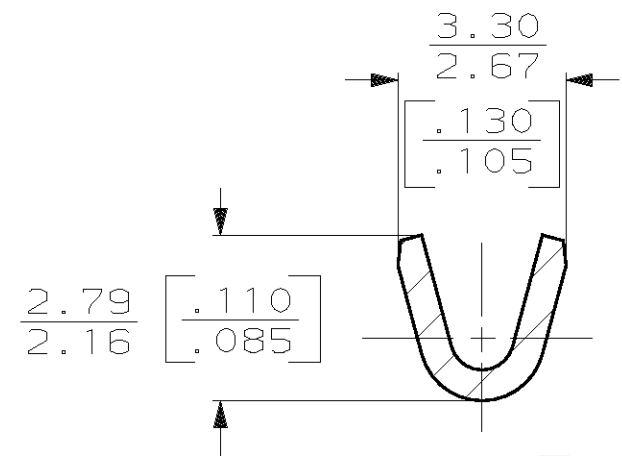
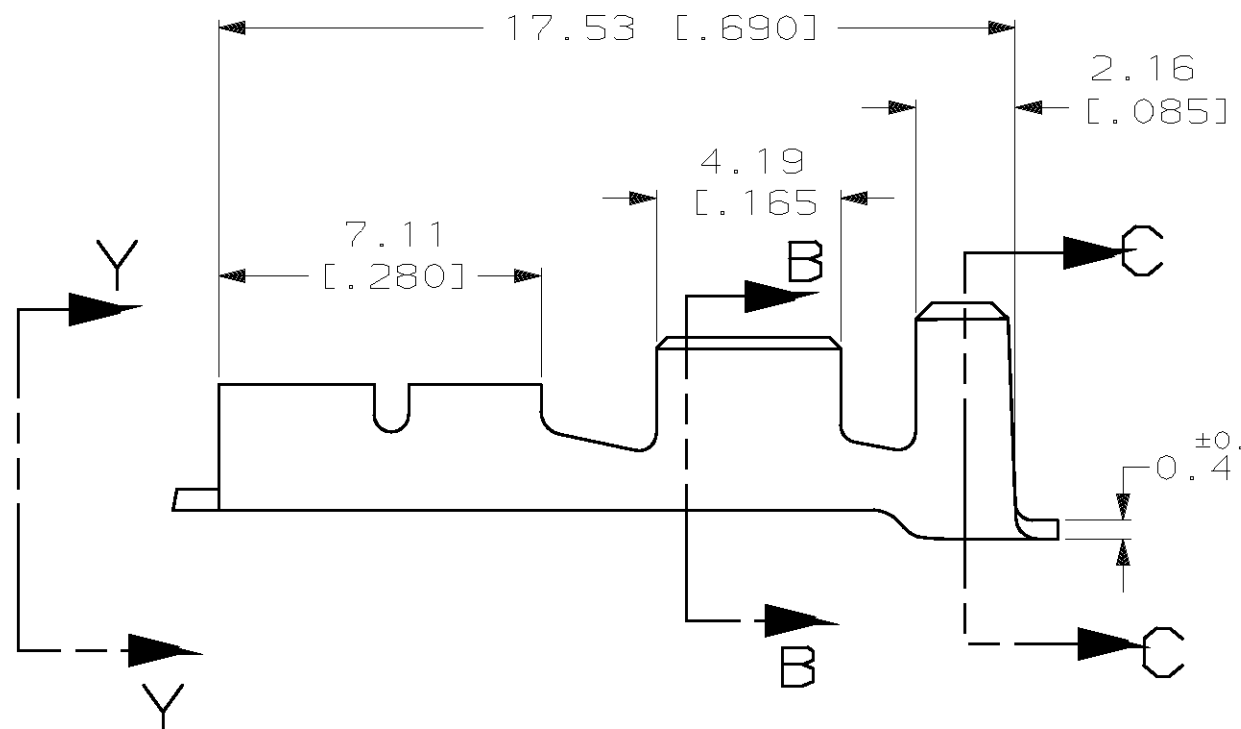
LOC AF DIST 50 P F

REVISIONS				DATE	APPD
ZONE	LTR	DESCRIPTION			
C		ADDED -2 PER 0G1A-0045-98	3/18/98	JR/JW	

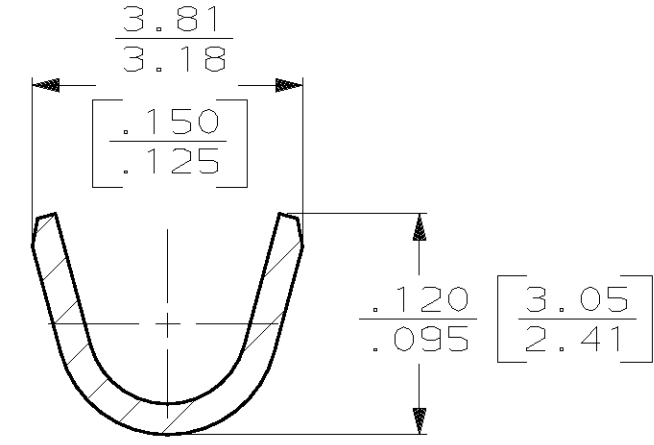


VIEW Y-Y  
SCALE 8:1

- 1 CONTINUOUS STRIP ON REELS
- 2 MATING TAB THK TO BE 0.51±0.025 [.020±.001].
- 3 WIRE SIZE IS #24-#19 MAGNET WIRE.
- 4 INSULATION RANGE IS 1.27-2.03 [.050-.080] DIA.



SECTION B-B  
SCALE 8:1



SECTION C-C  
SCALE 8:1

0.002032 [.000080] MIN TIN	63623-2
-	63623-1
FINISH	PART NO

TYPE	WIDTH	TYPE	WIDTH	HEIGHT	WIRE
F	2.79 [.110]	F	2.29 [.090]	1.19 [.047]	0.6mm <sup>2</sup> [19]
				1.14 [.045]	0.5mm <sup>2</sup> [20]
				1.07 [.042]	0.3mm <sup>2</sup> [22]
				1.04 [.041]	0.2mm <sup>2</sup> [24]

DO NOT SCALE PRINT. UNLESS SPECIFIED DIMENSIONS ARE IN MM [INCHES] TOLERANCES ON:  
 2 PLC DEC ± -  
 3 PLC DEC ± 0.25 [.010]  
 ANGLES ± -  
 MATERIAL H04 BRASS  
 FINISH SEE TABLE

DR 8/23/91 JR RUTH  
 CHK 8/23/91 MS FEHER  
 APPD 8/23/91 C MEYERS  
 APPD 8/23/91 R KUZO  
 PRODUCT SPEC -  
 APPLICATION SPEC -  
 WEIGHT -

AMP INCORPORATED Harrisburg, Pa. 17105	
NAME	
RECEPTACLE, FASTON,™ L.I.F., AMPLIVAR, 6.35 [.250] SERIES	
SIZE	DRAWING NO
<b>B</b>	00779
SCALE	SHEET
6:1	1 OF 1