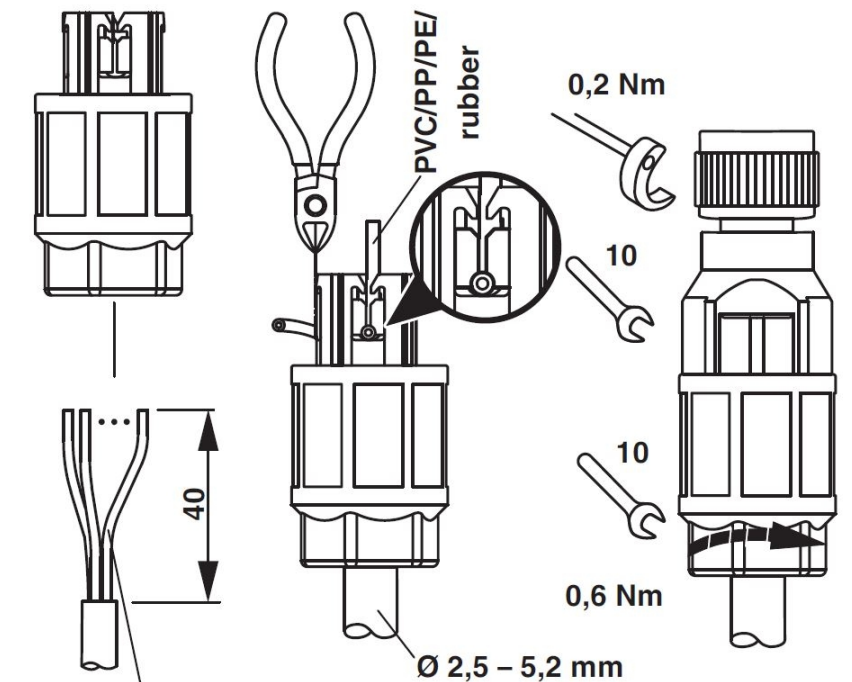


SCALE 2:1



NOTES:

Ambient temperature (operation):
 -25 °C ... 80 °C (Plug / socket)

Degree of protection: IP65
 Degree of protection: IP67

General:
 Rated current at 40°C: 3 A
 Rated voltage: 60 V
 Number of poles: 3
 Connection method:
 Insulation displacement connection

Conductor cross section: 0.25 mm² ... 0.5 mm²
 Wire diameter including insulation: 1.1 mm ... 1.55 mm
 Cable outlet: 2.5 mm ... 5 mm ±0.2 mm

Structure of individual litz in acc. with VDE 0295
 / smallest wire diameter: Class 2-6

Contact material: CuSn
 Contact surface material: Ni/Au

ENG.-No.: N03FA03144

QUALITY SYMBOLS ▽ = 0 ▽ = 0 ▽ = 0 ▼ = 0 ▽ = 0 ⊠ = 0 ■ = 0 ▽ = 0	THIS DRAWING CONTAINS INFORMATION THAT IS PROPRIETARY TO MOLEX INCORPORATED AND SHOULD NOT BE USED WITHOUT WRITTEN PERMISSION										
	EC DESCRIPTION EC NO.: 108741 DRWN: THAERDT CHK'D: REV APPR: RSILLER	2016/09/23	2016/09/23	GENERAL TOLERANCES (UNLESS SPECIFIED)		DIMENSION UNITS	SCALE				
				ANGULAR TOL ± 1.0 °		MM	5:1				
		4 PLACES ±				DRWN BY	DATE				
		3 PLACES ±				MSCHWARZ	2015/08/31				
		2 PLACES ± 0.05				CHK'D BY	DATE				
	1 PLACE ± 0.3				APPR BY	DATE					
	0 PLACES ± 0.5				DRAWING SIZE	THIRD ANGLE PROJECTION	PRODUCT CUSTOMER DRAWING				
	DRAFT WHERE APPLICABLE MUST REMAIN WITHIN DIMENSIONS		A3					SERIES	MATERIAL NUMBER	CUSTOMER	
						120091	1200910028	GENERAL MARKET			
					DOCUMENT NUMBER		DOC TYPE	DOC PART	SHEET NUMBER		
					1200910028		PSD	000	1 OF 1		