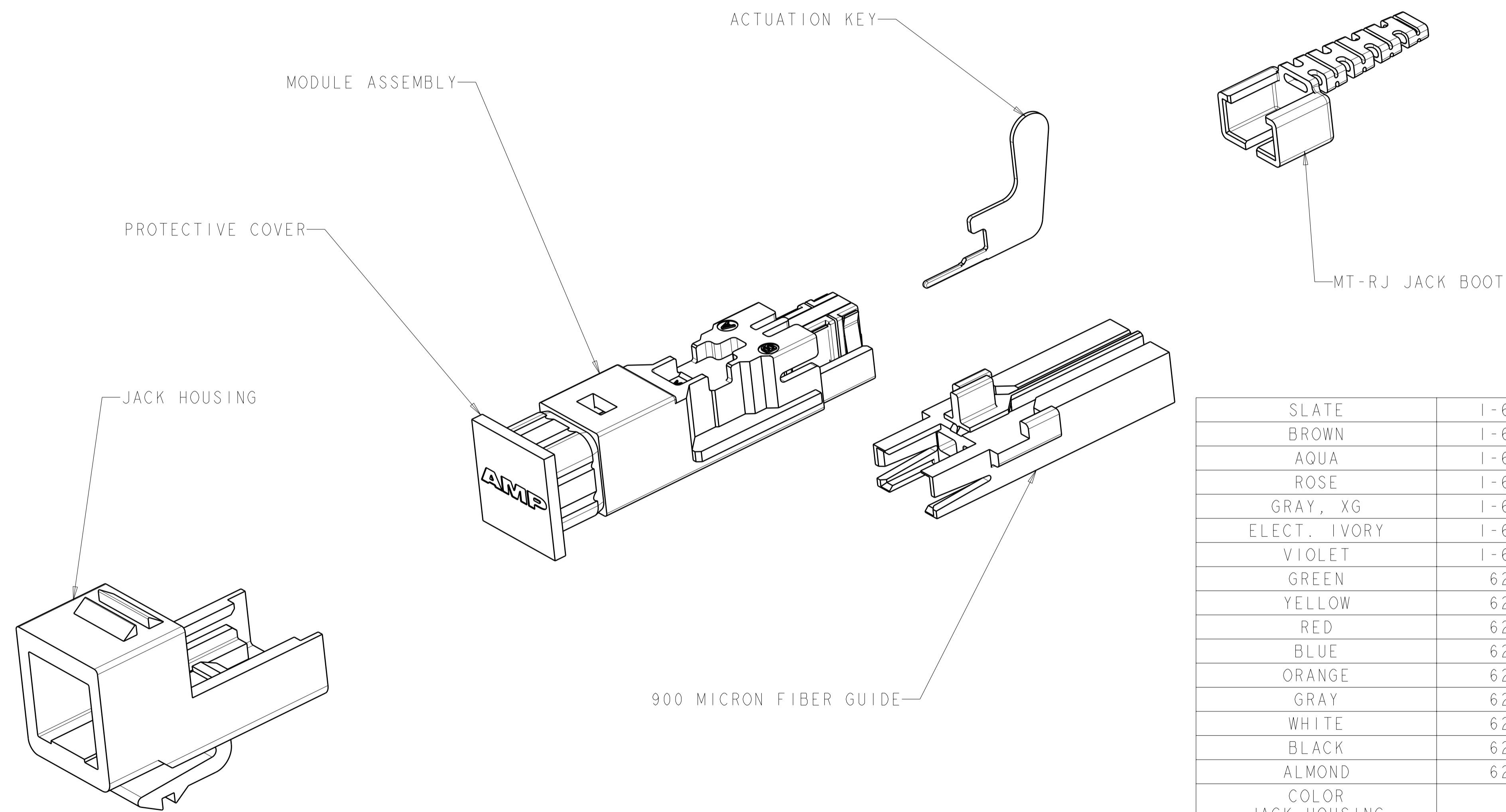


THIS DRAWING IS UNPUBLISHED. RELEASED FOR PUBLICATION  
 © COPYRIGHT 20 ALL RIGHTS RESERVED.

LOC	DIST	REVISIONS			
P	LTR	DESCRIPTION	DATE	DWN	APVD
CE	00	A2	REVISED PER ECO-11-005139	27APR2011	RK HMR

⚠ ENSURE THAT THE WALL BOX IS AT LEAST 50.8mm [2.0 INCHES] DEEP, WHEN INSTALLING MT-RJ WORKSTATION KIT.



SLATE	1-6278414-6
BROWN	1-6278414-5
AQUA	1-6278414-4
ROSE	1-6278414-3
GRAY, XG	1-6278414-2
ELECT. IVORY	1-6278414-1
VIOLET	1-6278414-0
GREEN	6278414-9
YELLOW	6278414-8
RED	6278414-7
BLUE	6278414-6
ORANGE	6278414-5
GRAY	6278414-4
WHITE	6278414-3
BLACK	6278414-2
ALMOND	6278414-1
COLOR JACK HOUSING	PART NUMBER

THIS DRAWING IS A CONTROLLED DOCUMENT.		DWN B. BRIGGS 01NOV2005	TE Connectivity	
DIMENSIONS: mm [INCHES]		CHK D. KIRSCH 01NOV2005		
TOLERANCES UNLESS OTHERWISE SPECIFIED:		APVD S. BUCHTER 07NOV2005	NAME MT-RJ, WORKSTATION JACK KIT, 50/125	
0 PLC ± 1 PLC ± 2 PLC ± 3 PLC ± 4 PLC ± ANGLES ± FINISH		PRODUCT SPEC -	SIZE A2	CAGE CODE 200779
MATERIAL		APPLICATION SPEC -	DRAWING NO 6278414	RESTRICTED TO -
-		WEIGHT -	SCALE 3:1	SHEET 1
-		CUSTOMER DRAWING	REV A2	