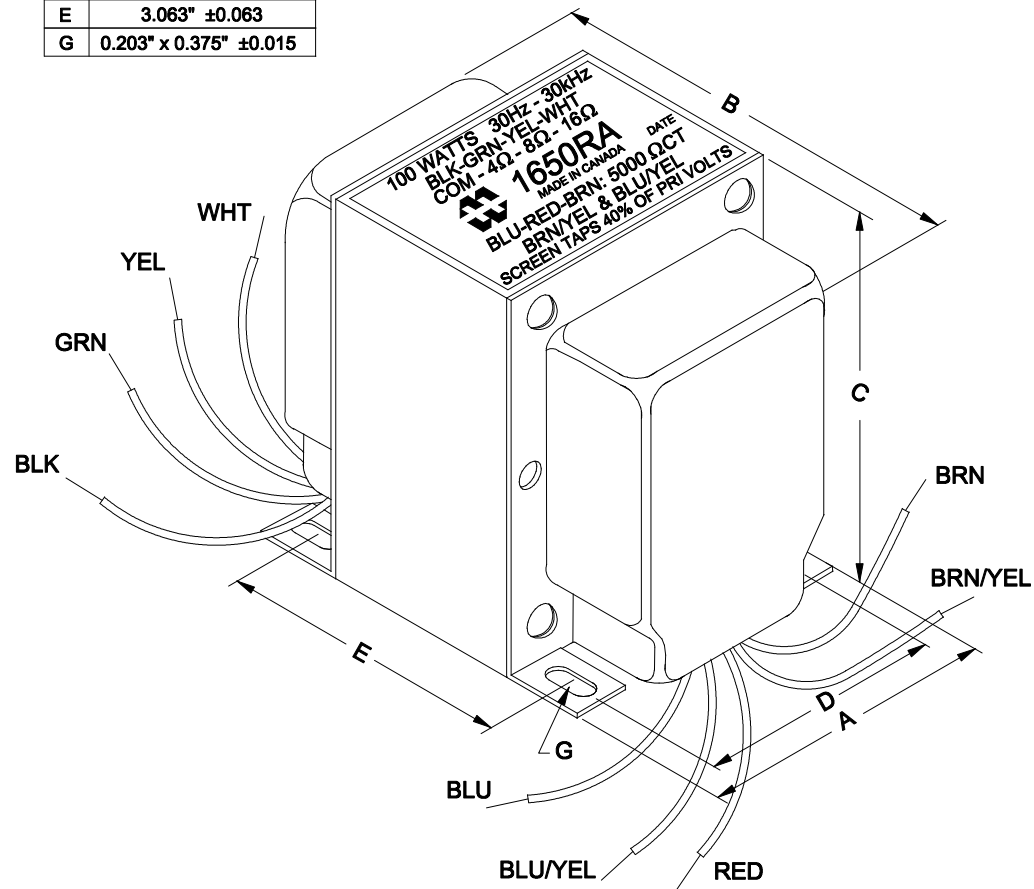
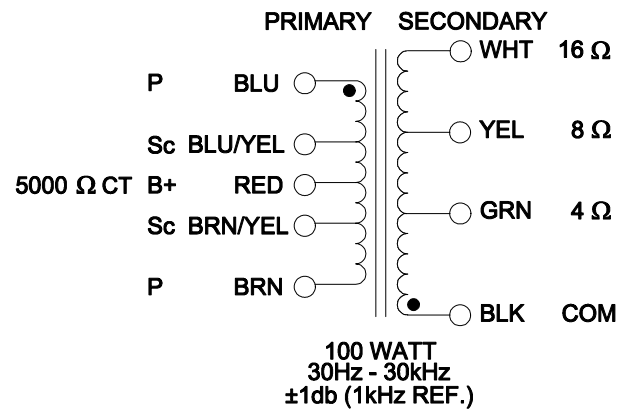


DIMENSIONS:	
A	3.750" ±0.063
B	4.186" ±0.125
C	4.530" ±0.063
D	3.000" ±0.063
E	3.063" ±0.063
G	0.203" x 0.375" ±0.015



NOTE: ALL LEADS 8" OUT MIN.



ELECTRICAL DATA:		
TESTS	CONDITIONS	ACCEPTANCE CRITERIA
lex	@ 240V, 60Hz, BLU - BRN	5mA Max.
Sec. N.L.V	@ 240V, 60Hz, BLU - BRN	
	BLU - BLU/YEL =	70.51V ±2%
	BLU - RED = RED - BRN =	120.0V ±2%
	BLU - BRN/YEL =	169.5V ±2%
	BLK - GRN =	6.788V ±2%
	BLK - YEL =	9.635V ±2%
	BLK - WHT =	13.58V ±2%
DCR	@ 20°C, BLU - RED =	47.43 Ω ±20%
	@ 20°C, RED - BRN =	54.65 Ω ±20%
	@ 20°C, BLK - GRN =	0.232 Ω ±20%
	@ 20°C, BLK - YEL =	0.333 Ω ±20%
	@ 20°C, BLK - WHT =	0.343 Ω ±20%
HIPOT	PRIMARY - SECONDARY	3535VDC, 1 SEC

REV.#	REVISION	DATE	HAMMOND ELECTRONIC DIVISION		52 RANKIN PLACE, WATERLOO, ONTARIO, N2J 3Z5		PH # (519) 886-6181
0	RELEASED.	08/08/13	MANUFACTURING™				FAX # (519) 886-9540
			DWG. BY: C. ILIE	CHK'D BY:	TITLE: 1650RA	DWG. NO.	
			DATE: 08/08/13	APP'D. BY:	TRANSFORMER	1650RA	
				DIMENSIONS: IN(X) MM()			